

Installation manual

VWH-5
Item-no.: 1628

DE Installationsanleitung

GB Installation manual

FR Guide d'installation

NL Installatievoorschrift

ES Guía de instalación

SE Installationsanvisning

TR Yükleme Rehberi

RU инструкция по установке

CN 安装指南



DE

Achtung!

Technische Geräte stellen einen beträchtlichen Wert dar. Sie sollten daher bei der Installation vorsichtig mit den Komponenten umgehen und diese bei Bedarf schützen.

Auch sollte, falls nötig, der Installtionsbereich abgesichert werden. Herabfallende Teile können zu Verletzungen und Materialschäden führen.

Die im Lieferumfang enthaltenen Materialien sind unter Umständen nicht für die speziellen Gegebenheiten am Installationsort geeignet. Bitte prüfen Sie dies vorab und ersetzen Sie diese bei Bedarf durch geeignete Materialien.

Falls Sie Bezüglich der Installation des Produkts unsicher sind oder noch Fragen haben wenden Sie sich an uns oder anderes ausgebildetes Fachpersonal.

GB

Caution!

Technical devices are of considerable value. You should therefore handle the components carefully during installation and protect them if necessary.

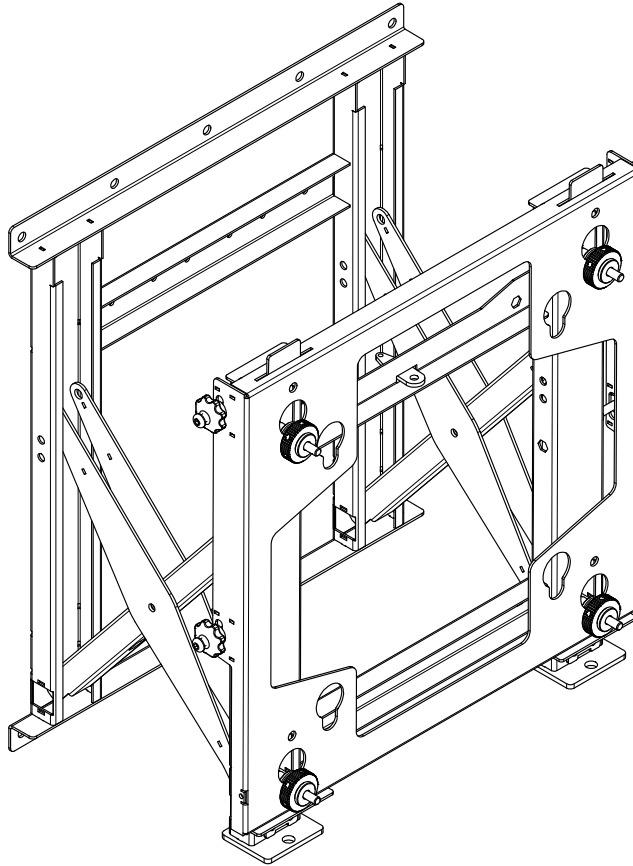
If necessary, the installation area should also be secured. Falling parts can cause injuries and material damage.

The materials included in the scope of delivery may not be suitable for the special conditions at the installation site. Please check this in advance and replace it with suitable materials if necessary.

If you are unsure about the installation of the product or have any questions, please contact us or other trained specialists.

INSTALLATION AND USE INSTRUCTIONS

Pantograph videowall with quick lock push system



Warning


For correct and safe use

This manual contains instructions and drawings for correct and safe use of the product. Non-compliance with descriptions and drawings and/or improper use of the product could cause the effects specified below.

Please note the following hazard symbols before reading the remainder of this session, and follow the instructions thoroughly.

⚠ Danger: any failure in observing these instructions could lead to death or serious injuries.

⚠ Warning: any failure in observing these instructions could lead to failure or damage to objects.

Meaning of the symbol: the  symbol warns against doing something



Special precautions for safety.

Danger

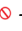

- Follow the instructions reported in this manual about the installation method. Any failure in observing these instructions could lead to damage or injuries due to MONITOR set or other objects falling down.
- Please use qualified personnel for installation
- Make sure that the wall where the MONITOR set has to be installed can bear the weight of the MONITOR set itself.
- Do not apply any other weight to the MONITOR set or the bracket. This could make the MONITOR set fall down and cause injuries or damage to objects.
- Do not change or alter the components for installation. This make the MONITOR set fall down and cause injuries or damage to objects.

Warning

Carry out the installation in places without humidity or dust.

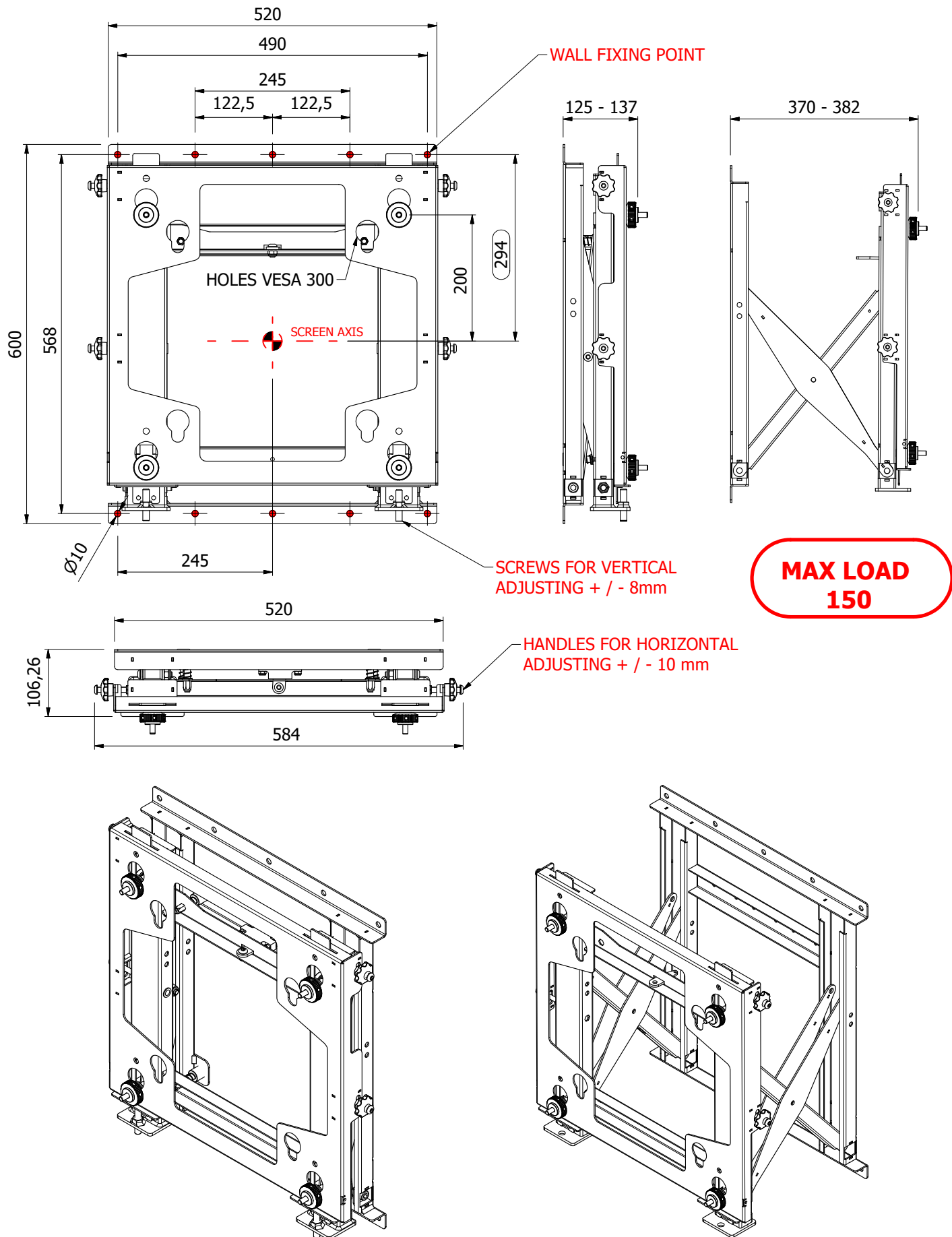
-  - Do not install the MONITOR screen in places with a high degree of humidity and dust. This could bring about fire or electric shocks.
-  - Do not install the MONITOR screen in places where it could get in contact with fumes or vapours. This could bring about fire or electric shocks.

Carry out the installation in a well vented area.

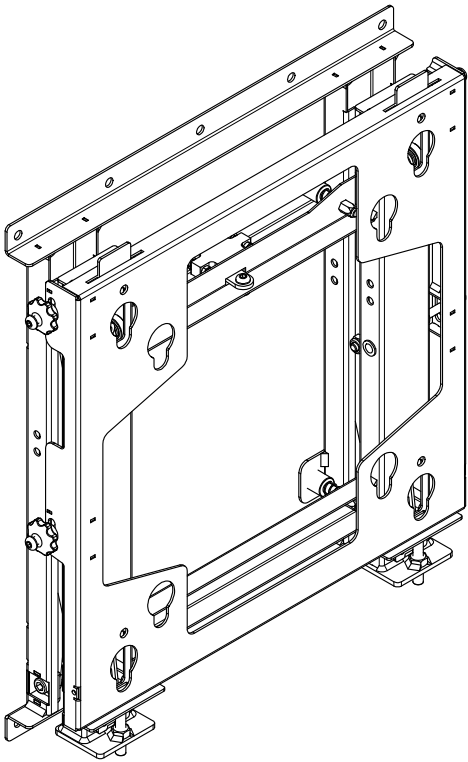
-  - Do not obstruct the holes for air passage on the MONITOR screen. This could bring about fire.
-  - Do not place the MONITOR set in a poorly vented place.

Please take careful note of the following: use qualified personnel for the installation. The producer will not bear responsibility for any improper installation or any accident, damage or injury that may come arise from incorrect installation.

DIMENSIONS



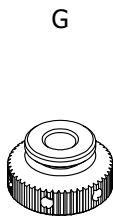
PARTS OF THE PACKAGE



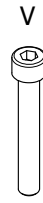
PANTOGRAPH BRACKET
1 X



WASHER
4 X



ADJUSTABLE RING
4 X



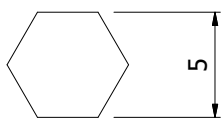
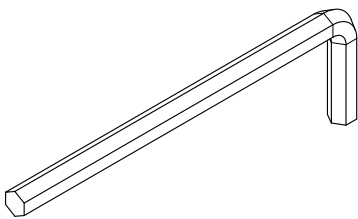
SCREW
4 X



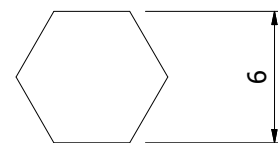
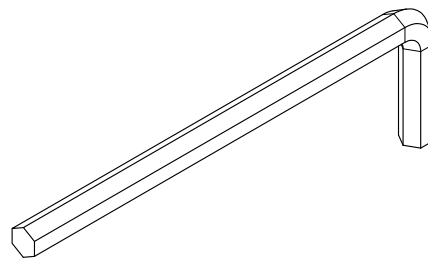
THREADED BOLT
4 X

TOOLS

NOT INCLUDED IN THE PACKAGE

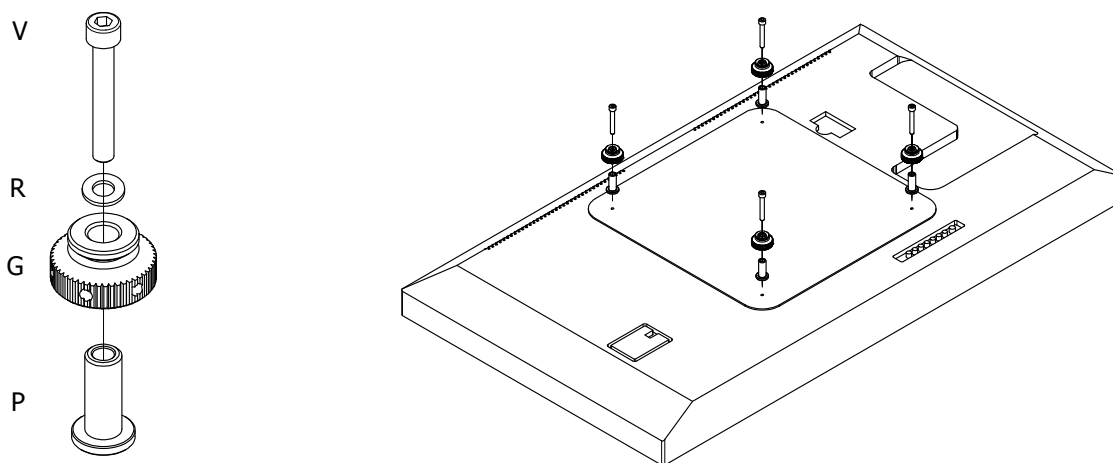


ALLEN KEY 5mm



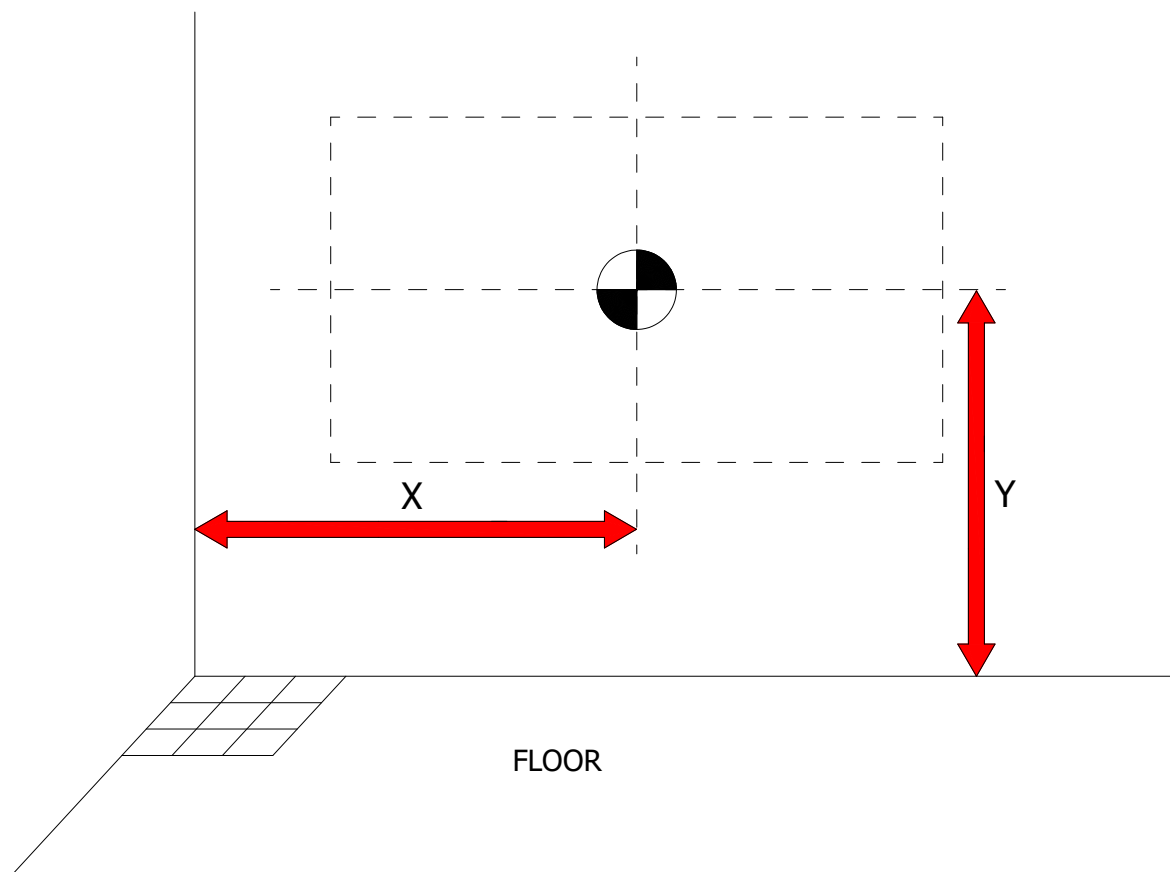
ALLEN KEY 6mm

RING AND BOLTS ON SCREEN INSTALLATION

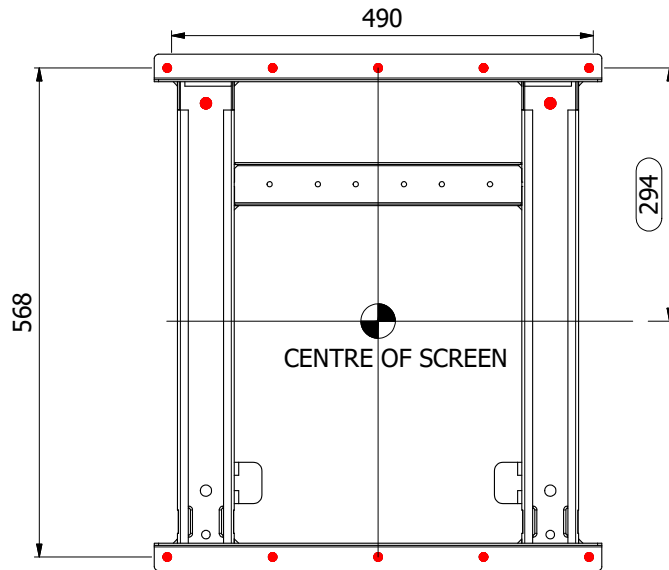


MOUNT ON THE BACK OF SCREEN THE ADJUSTABLE RING (G) +
THREADED BOLT (P) WITH THE SCREW (V) AND WASHERS (R).

DETERMINE THE CENTRE OF THE SCREEN



MARK ON THE WALL THE HOLES FOR SUITABLE ANCHOR

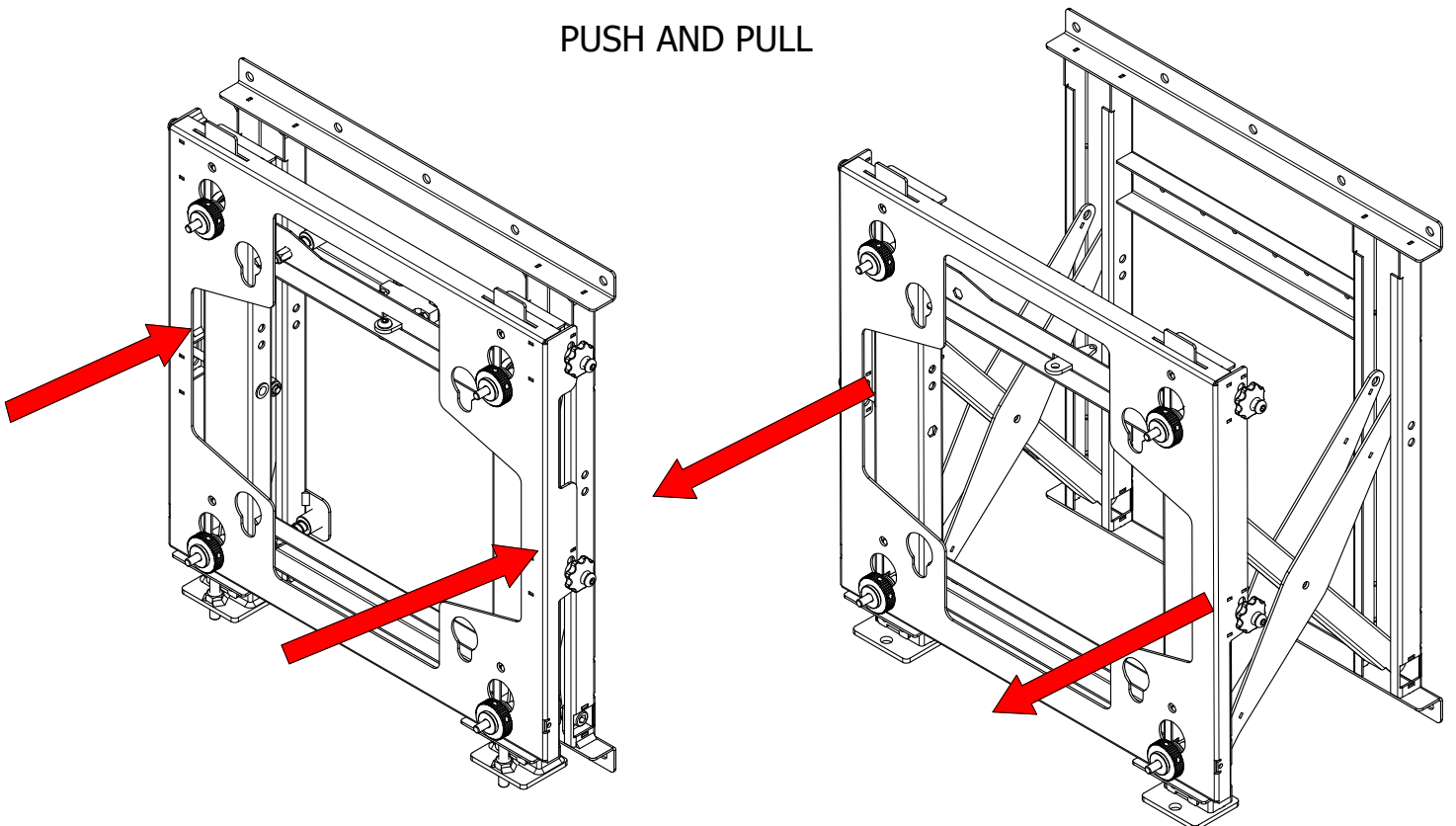


WARNING

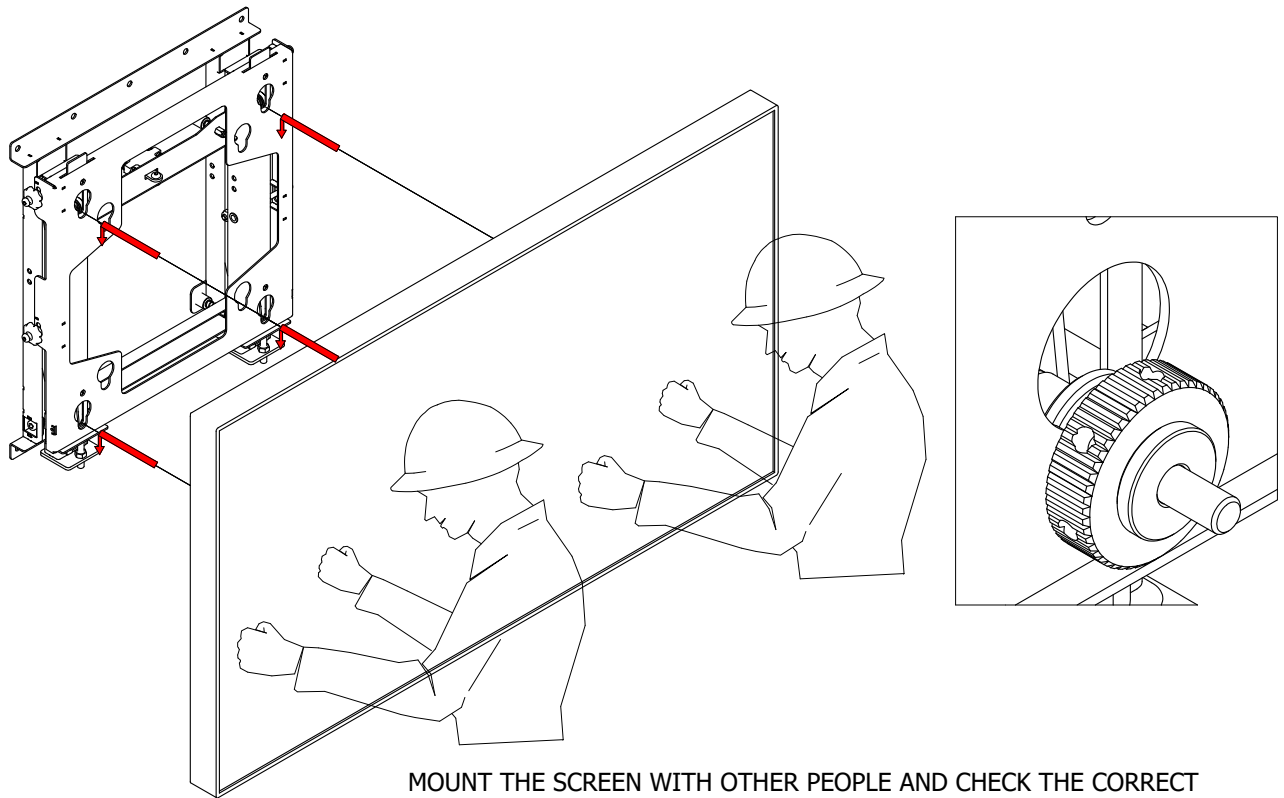
USE MINIMUM 4 SUITABLE ANCHOR FOR THE UP SIDE AND MINIMUM 2 SUITABLE ANCHOR FOR THE DOWN SIDE. UTILIZE STEEL ANCHORAGES WITH MINIMUM DIAMETER OF 6mm

CHECK THE CORRECT WORK OF PANTOGRAPH

PUSH AND PULL



MOUNTING SCREEN



MOUNT THE SCREEN WITH OTHER PEOPLE AND CHECK THE CORRECT HOOKING OF THE 4 ADJUSTABLE RING IN THEIR POSITION

ADJUSTMENT

