

VWH-4

Video wall mount

Item no.: 1625

The VWH-4 is a full service video wall mount with pull-out function (pop-out mechanism) for screens with a size from 55 - 75" | 140 - 191 cm to create a video wall - especially for seamless displays.

Thanks to its innovative click-out system and tool-free fine adjustment in height, width and depth the holder offers simple initial installation and ensures ideal service access during operation.

The video wall holder VWH-4 covers the universal VESA standard by 200 x 200, 300 x 300 and 400 x 400 mm. Adapters for VESA 600 / 800 are optionally available.

As a special feature, optional mounting templates (device-specific) are available. The drilling template related to the display model generates the exact distance to the adjacent horizontal and vertical bracket, which means that the installation time can be reduced to a minimum. You can find the list on our website (www.hagor.de).

The maximum load is 75 kg.



VWH-4

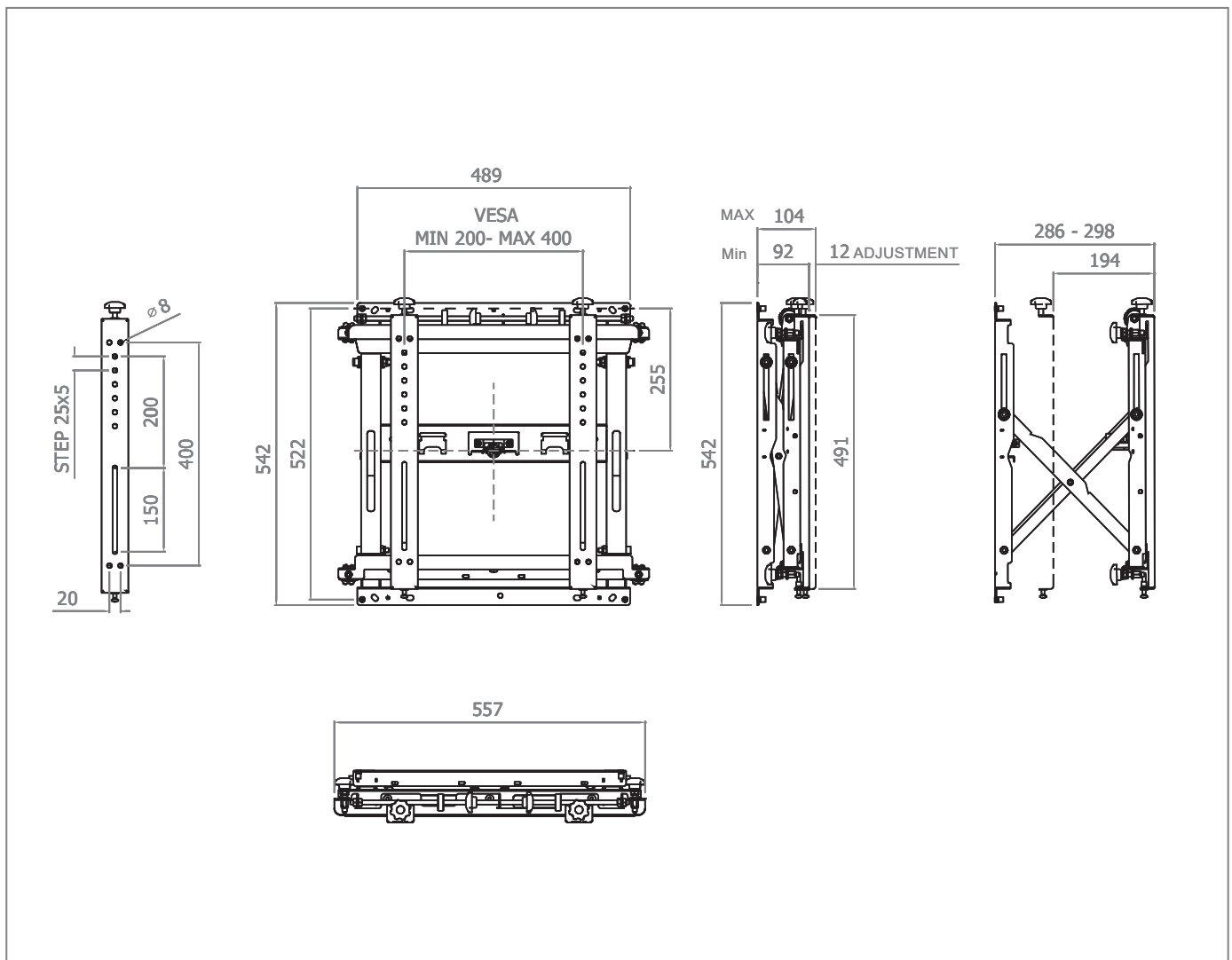
Video wall mount

Item no.: 1625

- for screens from 55 - 75" / 140 - 191 cm
- screen installation in portrait or landscape format
- 75 kg load, max.
- incl. VESA universal mount, VESA 200 x 200, 300 x 300 and 400 x 400 mm
- distance to wall - 96 mm min. - 286 mm max. (fine adjustment by ± 5 mm)
- 8-point fine adjustment for height, width and depth
- unlimited video wall configuration, extendable in height and width

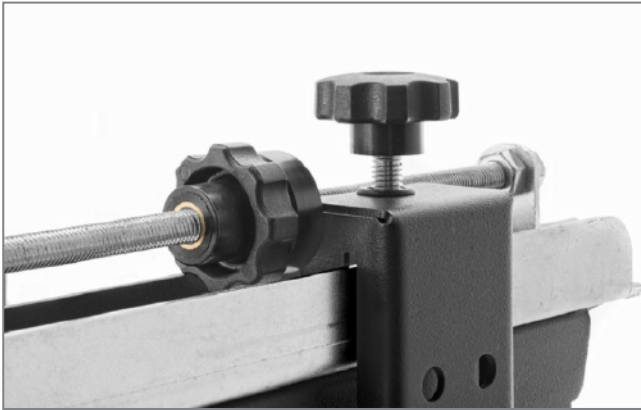
- incl. pop-out system for optimal service access, also during running operation
- Colour: black
- available as an option:
VESA adapter stripes 600 / 800 (Item no.: 1469)
- available as an option:
display specific interspace template for quick assembly

***Important!** The standard version is not suitable for touch applications.*

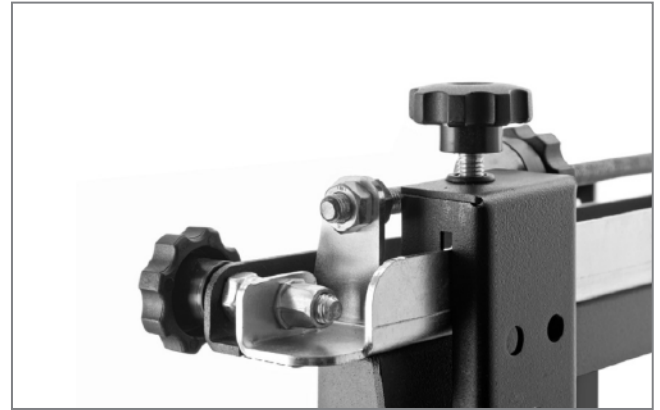


VWH-4 Video wall mount

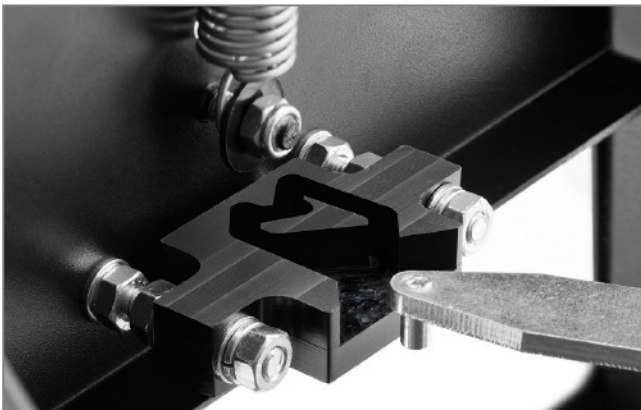
Item no.: 1625



Height adjustment



Depth adjustment



incl. pop-out system for perfect service access



Installation example exhibition, Hamburg



Installation example Johannes Wesling Clinic, Minden