

BrackIT[®]-C-Stopper **mobile, digital customer stopper**

Item no.: 2227

The BrackIT-C-Stopper is a mobile stand system with an extraordinary easel look, which can be used as a digital customer stopper. It is suitable for screens from 32 - 55" | 81 - 140 cm.

The included VESA mount can be equipped up to VESA 400 x 600 mm and has a safety catch.

The screen can be mounted either in portrait or landscape orientation.

The installed screen can be tilted up to a maximum of 15°, which enables an optimally adjustable viewing angle and in particular increases the advertising effectiveness of the customer or prospective customer.

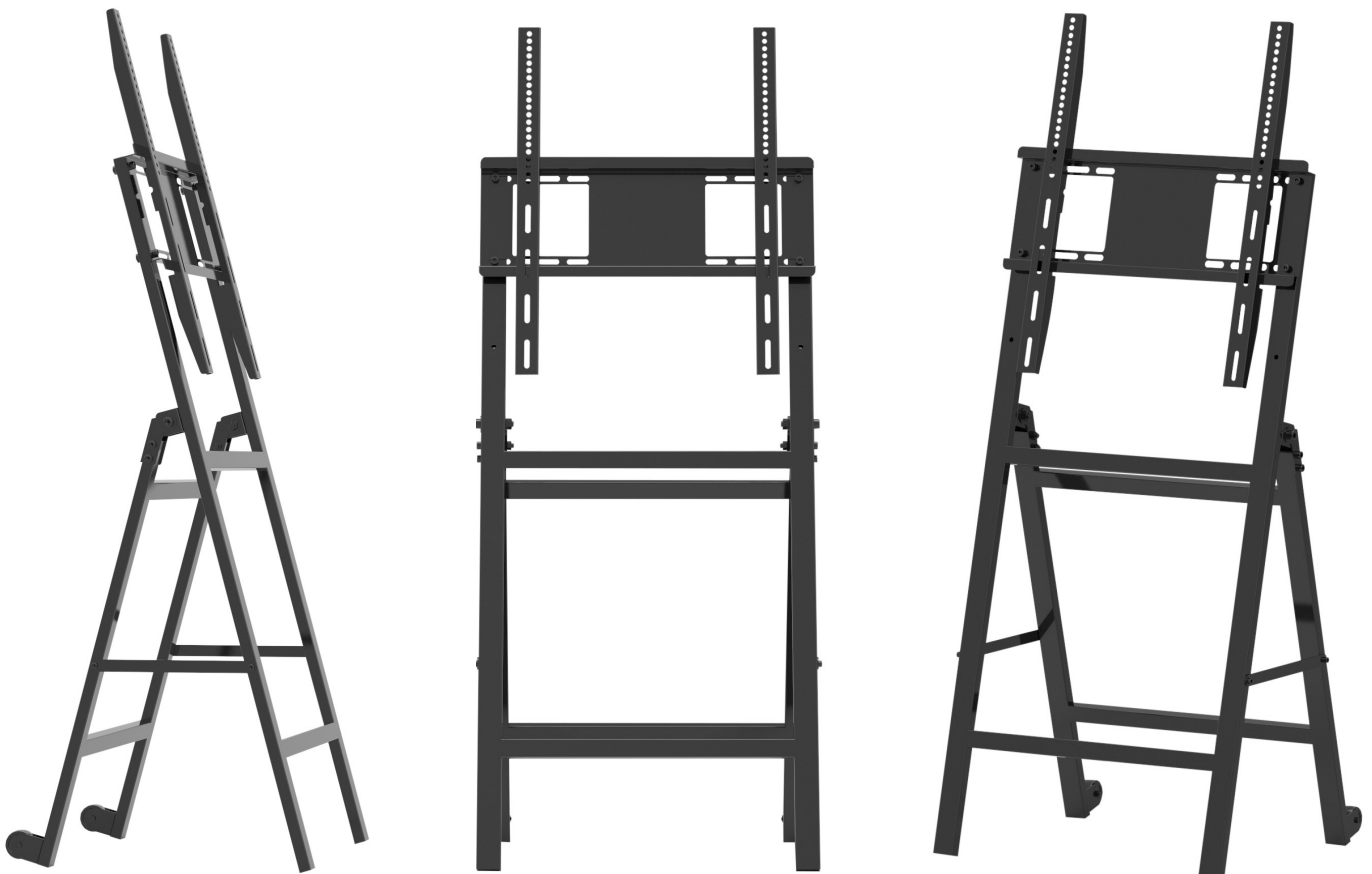
Thanks to the integrated castors the BrackIT-C-Stopper can be easily transported and aligned.

When folded the system takes up little storage space.

The surface is finished with an impact and scratch resistant powder-coating in discreet black.

The delivery is almost completely pre-assembled.

The maximum load is 50 kg.



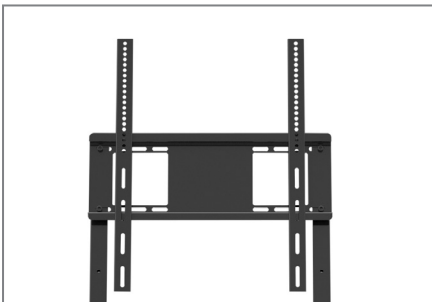
BrackIT[®]-C-Stopper mobile, digital customer stopper

Item no.: 2227

- for screens from 32 - 55" | 81 - 140 cm
- incl. VESA mount up to VESA 400 x 600 mm
- installation in portrait or landscape format possible
- incl. hang out protection
- 15° tiltable
- 50 kg load, max.
- 12,5 kg empty weight
- Dimensions: W 562 x H 1270 x D 534 mm
- mobile thanks to the integrated castors
- almost completely pre-assembled on delivery
- Colour: black



easy to move thanks to integrated castors



VESA mount with VESA 400 x 600 mm max.



ascertainable crossbars bring stability

