

HAG-BR-30 Landscape

Fire protection enclosure, according to EI30 regulations

The HAG-BR-30 Landscape is a fire protection enclosure for wall mounting. Suitable for a screen with a maximum size of 65" in landscape orientation.

With the HAG-BR-30 Landscape version, the requirements of the EU directive EN 13501-1-A1 (formerly DIN 4102-1-A2) are fulfilled. The protective enclosures are suitable for mounting screens in escape and rescue routes with an EI30 regulation and they are also MPA tested.

Each model is supplied with 15 mm thick fire-resisting glass with gel coat as well as a closed rear wall plate with cable feedthrough.

The fire protection enclosure series contains smoke protection with smoke protection seals as standard and a cable feedthrough with a fire retardant seal.

The entire mounting material for wall mounting, as well as a firmly lockable VESA universal mount, max. VESA 400 x 400 mm or VESA 800 x 600 mm (from 46 ") are included.

The standard housing colour is white (similar to RAL 9010); further RAL colours are possible on request.

IMPORTANT! Please note that the fire protection housings are not suitable for use in conjunction with high-brightness screens. If this is required, an optionally available additional ventilation is necessary.



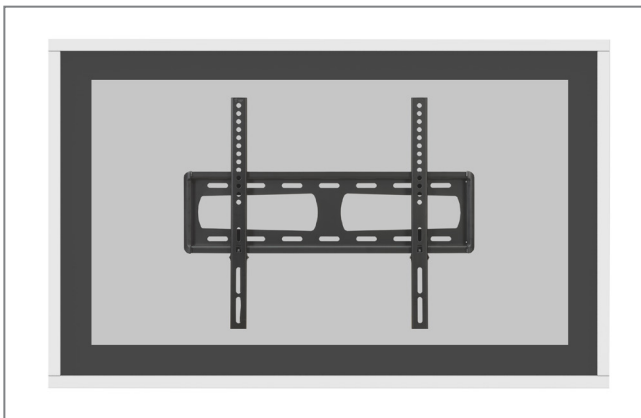
* Please note! Not suitable for high-brightness screens. | Other sizes possible on request! | Technical changes reserved.

This document is the property of HAGOR Products GmbH. Forwarding and duplication of this document, utilization and communication of its contents are not permitted unless expressly permitted. A violation obliges you to pay compensation. All rights reserved in the event of a patent, utility model or design registration.

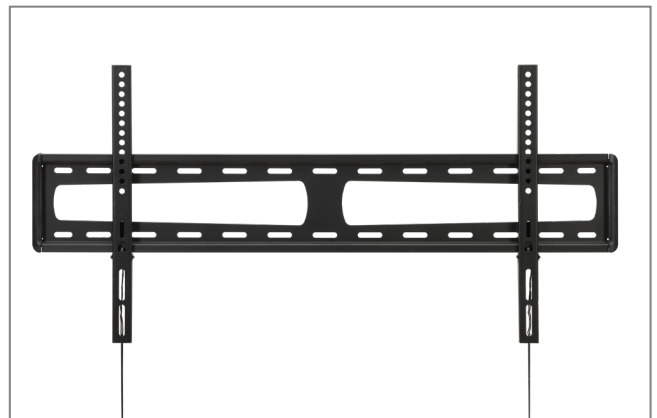
HAG-BR-30 Landscape

Fire protection enclosure, according to EI30 regulations

- produced according to fire resistance EI30
- certified material (DIN EN 13501-1/A1 - s1, d0)
- available in landscape format
- for screens up to 65" max.
- incl. VESA mount
- for screens with a depth up to 100 mm max.
- incl. smoke protection
- encapsulation of fire load
- Cable feedthrough with fire retardant seal
- Protection against vandalism and theft
- suitable for installation of screens in emergency and escape routes (with EI30 stipulations)
- 15 mm thick fire-resisting glass with gel coat
- pre-assembled
- incl. editing gauge
- Colour: white (similar to RAL 9010) - other RAL colours are possible on request
- incl. passepartout with "Active Area" cutout



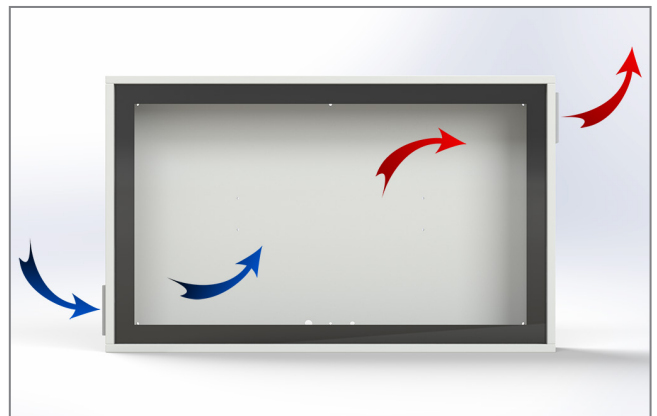
Housing colour: white - other RAL colours on request



incl. VESA mount



Optional additional ventilation for high-brightness displays, closes at an internal housing temperature of 72 °C



Optional additional ventilation by fire protection flap set (Item no.: 2800), ventilation is provided by a chimney effect

* Please note! Not suitable for high-brightness screens. | Other sizes possible on request! | Technical changes reserved.

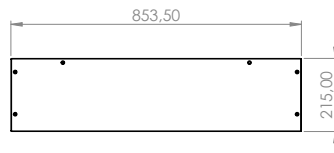
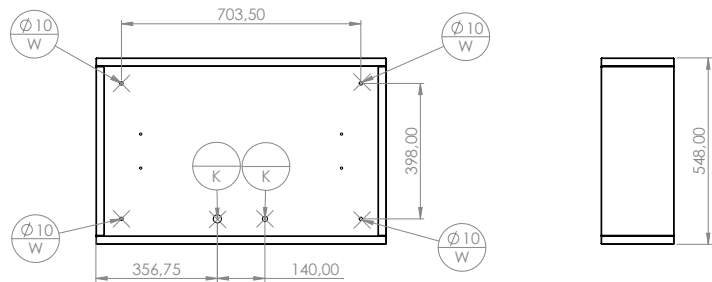
This document is the property of HAGOR Products GmbH. Forwarding and duplication of this document, utilization and communication of its contents are not permitted unless expressly permitted. A violation obliges you to pay compensation. All rights reserved in the event of a patent, utility model or design registration.

HAG-BR-30 Landscape

Fire protection enclosure, according to EI30 regulations

HAG-BR-30 Landscape 32"

Dimensions, external: 548 x 854 x 215 mm
 Dimensions, internal: 498 x 803,5 x 154,5 mm
 Weight: 60 kg
 Load, max.: 40 kg
 VESA standard: up to 200 x 200 mm max.
 Wattage: max. 50 W *

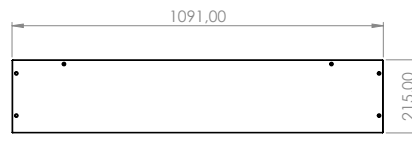
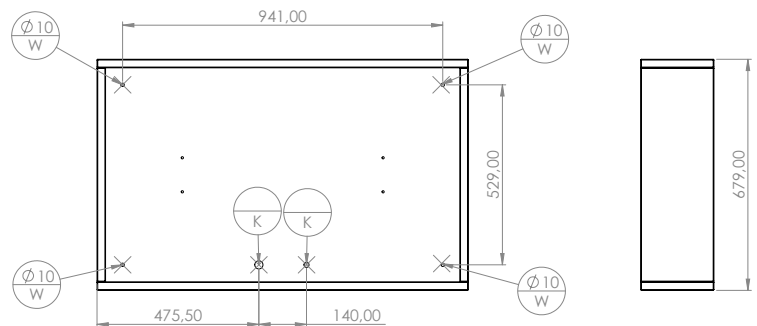


HAG-BR-30 Landscape 27 - 32"

Item no.: 1739

HAG-BR-30 Landscape 43"

Dimensions, external: 679 x 1091 x 215 mm
 Dimensions, internal: 629 x 1041 x 154,5 mm
 Weight: 88 kg
 Load, max.: 40 kg
 VESA standard: up to 400 x 400 mm max.
 Wattage: max. 70 W *



HAG-BR-30 Landscape 40 - 43"

Item no.: 1740

* Please note! Not suitable for high-brightness screens. | Other sizes possible on request! | Technical changes reserved.

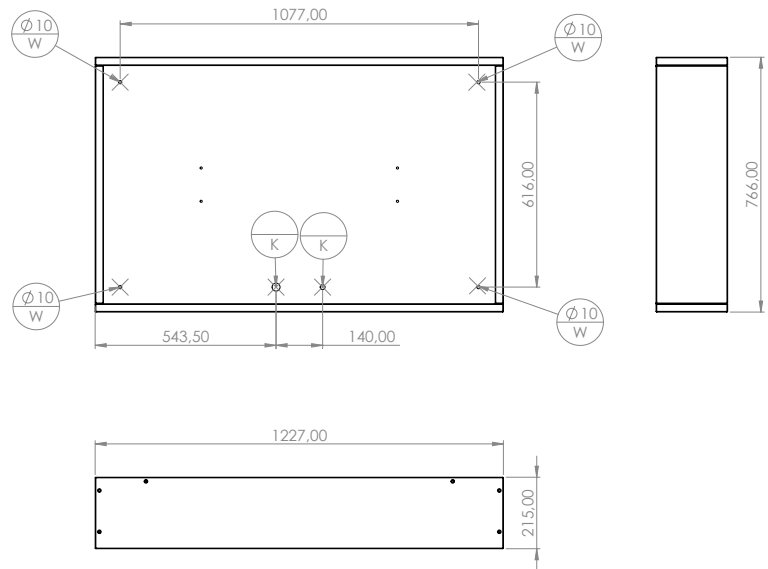
This document is the property of HAGOR Products GmbH. Forwarding and duplication of this document, utilization and communication of its contents are not permitted unless expressly permitted. A violation obliges you to pay compensation. All rights reserved in the event of a patent, utility model or design registration.

HAG-BR-30 Landscape

Fire protection enclosure, according to EI30 regulations

HAG-BR-30 Landscape 48"

Dimensions, external: 766 x 1227 x 215 mm
 Dimensions, internal: 716 x 1177 x 154,5 mm
 Weight: 99 kg
 Load, max.: 60 kg
 VESA standard: up to 800 x 600 mm max.
 Wattage: max. 75 W *

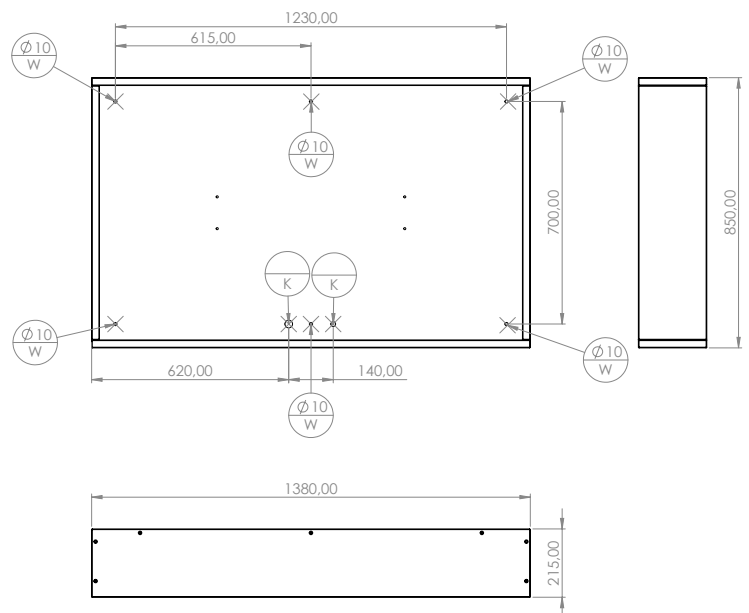


HAG-BR-30 Landscape 46 - 48"

Item no.: 1741

HAG-BR-30 Landscape 55"

Dimensions, external: 850 x 1380 x 215 mm
 Dimensions, internal: 800 x 1330 x 154,5 mm
 Weight: 120 kg
 Load, max.: 60 kg
 VESA standard: up to 800 x 600 mm max.
 Wattage: max. 180 W *



HAG-BR-30 Landscape 49 - 55"

Item no.: 1742

* Please note! Not suitable for high-brightness screens. | Other sizes possible on request! | Technical changes reserved.

This document is the property of HAGOR Products GmbH. Forwarding and duplication of this document, utilization and communication of its contents are not permitted unless expressly permitted. A violation obliges you to pay compensation. All rights reserved in the event of a patent, utility model or design registration.