

VWH-1 Video wall mount

Item no.: 1379

The VWH-1 is a video wall holder with pull-out function (pop-out mechanism) for monitors or flat screens with a size of 42 to 55" | 107 - 140 cm to create a video wall - especially for seamless displays.

Thanks to its innovative pop-out system and tool-free fine adjustment in height, width and depth, the holder offers simple initial installation and ensures ideal service access during operation.

The video wall holder VWH-1 covers the universal VESA standard up to VESA 400 x 400 mm max., an additional adapter to VESA 600 x 400 or 400 x 600 mm is already included in the scope of delivery.

An adapter for VESA 800 is available as an optional accessory.

As a special feature, optional mounting templates (device-specific) are available. The drilling template related to the display model generates the exact distance to the neighboring horizontal and vertical bracket, which means that the installation time can be reduced to a minimum. You can find the list on our website (www.hagor.de).

The maximum load is 40 kg.



Installation example with included adapter to VESA 600 x 400 mm

VWH-1

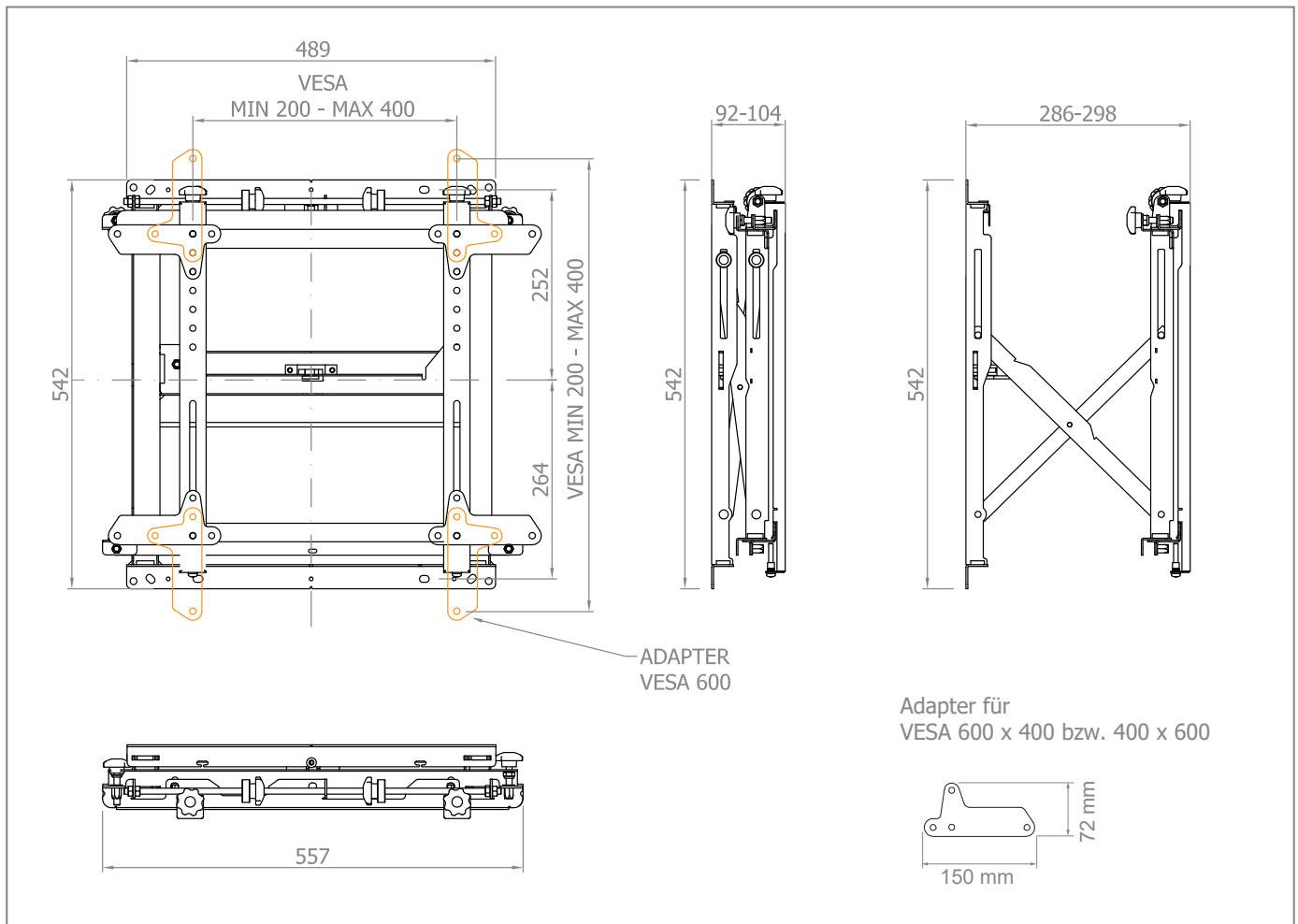
Video wall mount

Item no.: 1379

- for screens from 42 - 55" / 107 - 140 cm
- screen installation in portrait or landscape format
- 40 kg load, max.
- 13,8 kg weight
- incl. VESA universal mount up to 400 × 400 mm max.
- incl. adapter set for assembly of VESA 600 x 400 or 400 x 600 mm
- distance to wall in central position 98 to 292 mm max., incl. fine adjustment by ± 6 mm
- 8-point fine adjustment for height, width and depth
- fine adjustment via included adjusting screws (with no tools needed)

- unlimited video wall configuration, extendable in height and width
- incl. pop-out system for optimal service access, also during running operation
- Colour: black
- available as an option:
VESA adapter to VESA 800 (Item no.: 1469)
- available as an option:
display specific interspace template for quick assembly

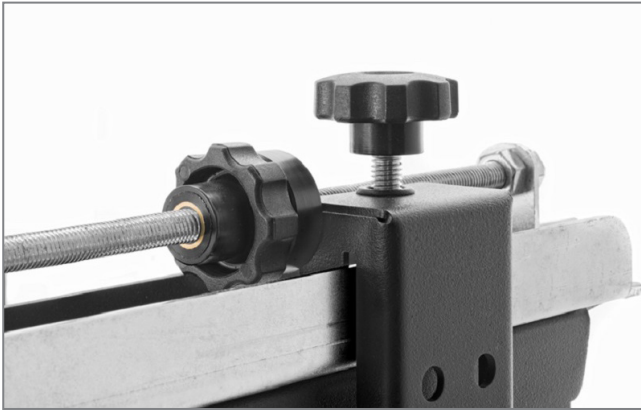
Important! The standard version is ***not*** suitable for touch applications.



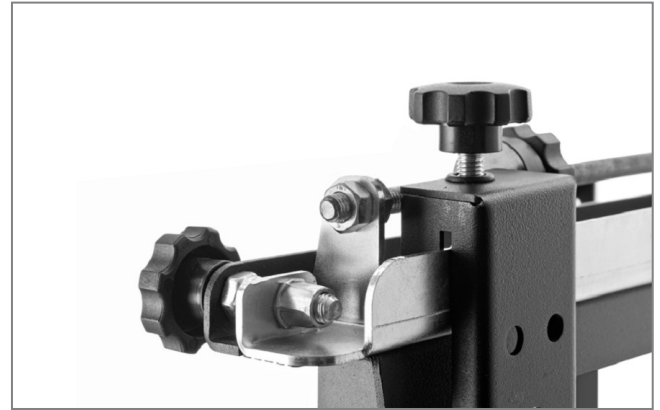
VWH-1

Video wall mount

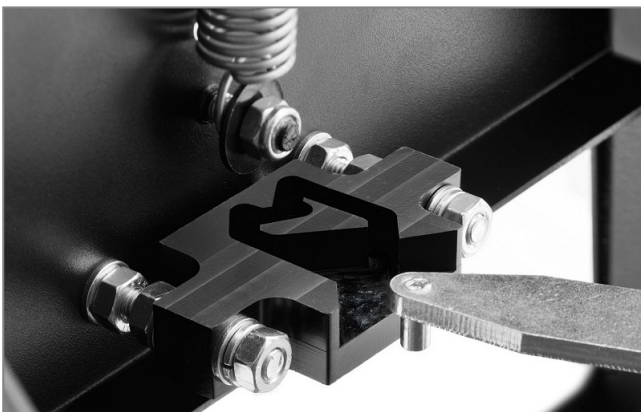
Item no.: 1379



Height adjustment



Depth adjustment



incl. pop-out system for perfect service access



Scan QR code to watch product video



Including adapter for VESA 600 x 400 or 400 x 600 mm



Installation example in Shopping Center
„West Park“ Ingolstadt