

## VWH-1-Slim

### Video wall mount

The VWH-1-Slim is a super flat video wall mount to create a video wall split screen. The pop-out mount is suitable for screens with a size from 42 up to 55" | 107 - 140 cm.

The video wall configuration can be expanded infinitely in height and width.

The innovative pop-out system allows easy initial installation and ensures good service access at all times during operation.

The video wall holder VWH-1-Slim covers the VESA standard up to VESA 400 x 400 mm max., an adapter set is also included which enables the mounting of VESA 600 x 400 or VESA 400 x 600 mm.

**Item no.: 5790**

The distance to wall is ultra-flat from 54 min. up to 264 mm max.

Thanks to the fine adjustment options at 8 points in height, width and depth (with no tools needed), the screen position can be perfectly adjusted and aligned in all levels.

The load limit of the video wall mount is 35 kg max..

Another adapter for VESA 600 / 800 mm (Item no.: 1469) is optionally available.

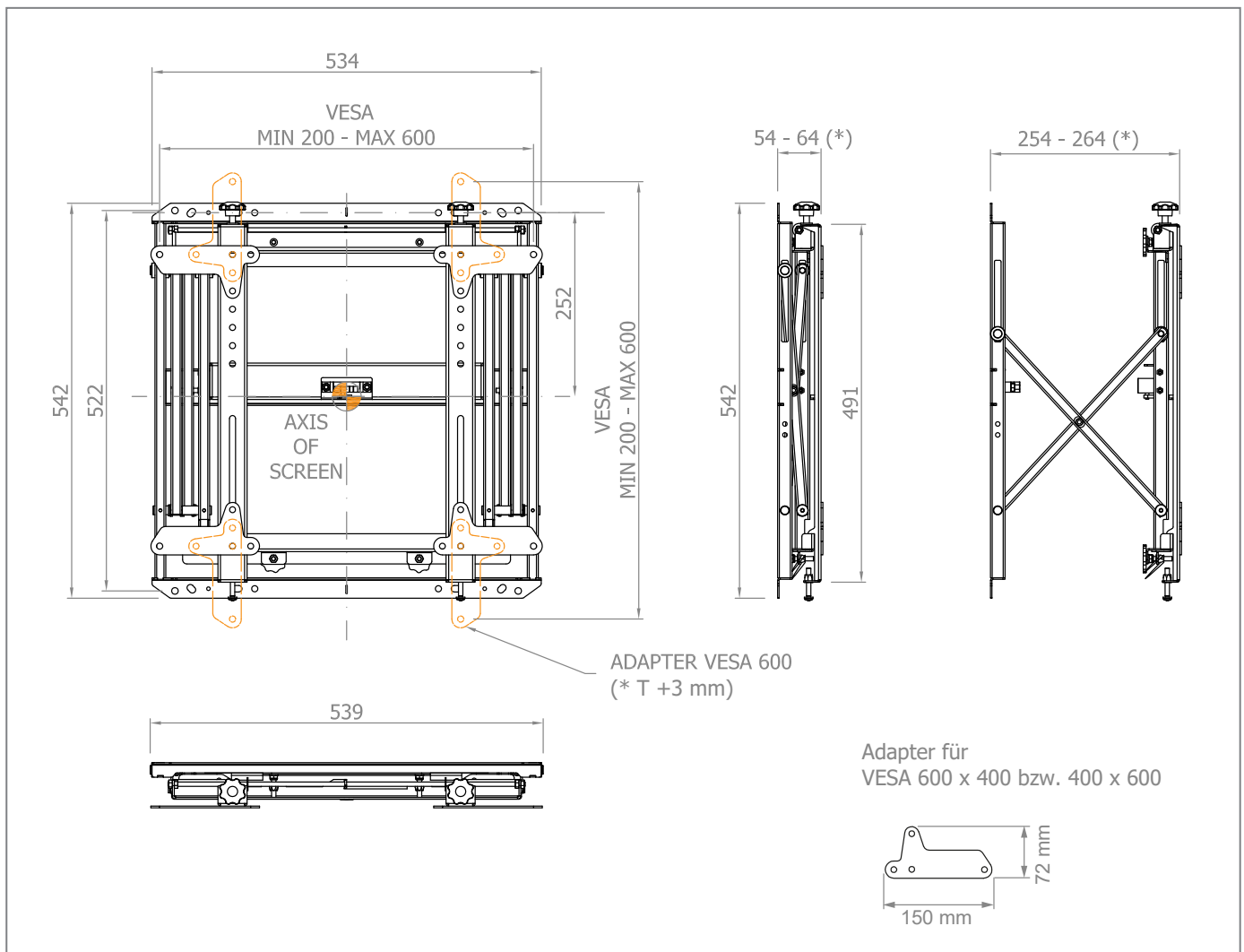


# VWH-1-Slim

## Video wall mount

**Item no.: 5790**

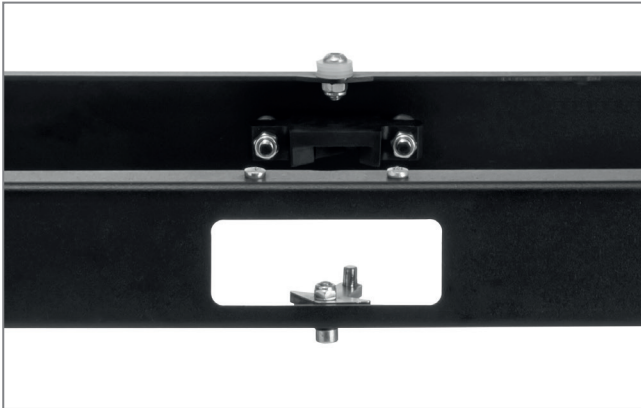
- for screens from 42 - 55" | 107 - 140 cm
- screen installation in portrait or landscape format
- 35 kg load, max.
- incl. universal mount with VESA 400 × 400 mm max.
- incl. adapter set for assembly of VESA 600 x 400 or VESA 400 x 600 mm
- ultra-flat distance to wall from 54 to 264 mm max. incl. fine adjustment by ± 5 mm
- fine adjustment via included adjusting screws (with no tools needed)
- 8-point fine adjustment for height, width and depth
- unlimited video wall configuration, extendable in height and width
- pop-out system for perfect service access
- Colour: black
- available as an option:  
VESA adapter stripes 600 / 800 (Item no.: 1469)



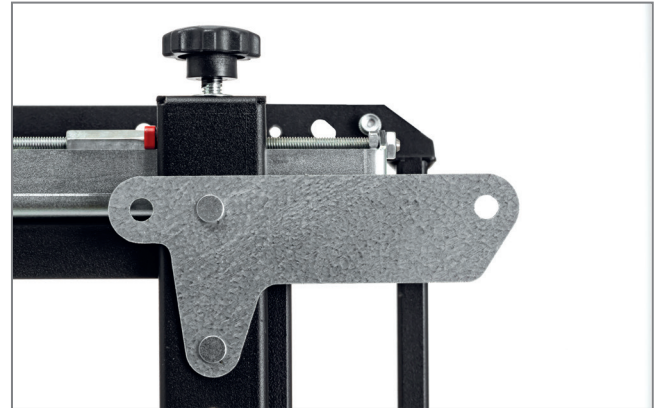
## VWH-1-Slim

Video wall mount

Item no.: 5790



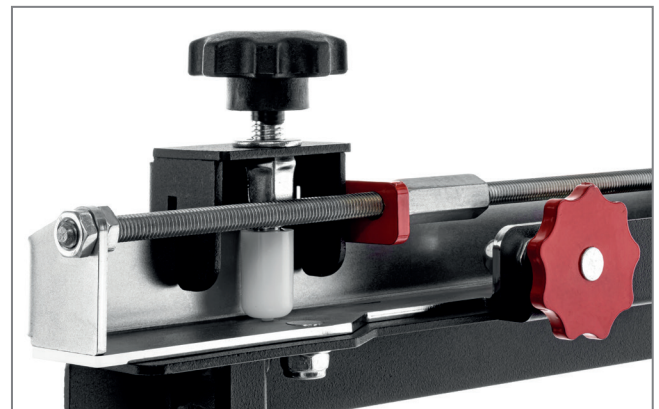
pop-out system for perfect service access



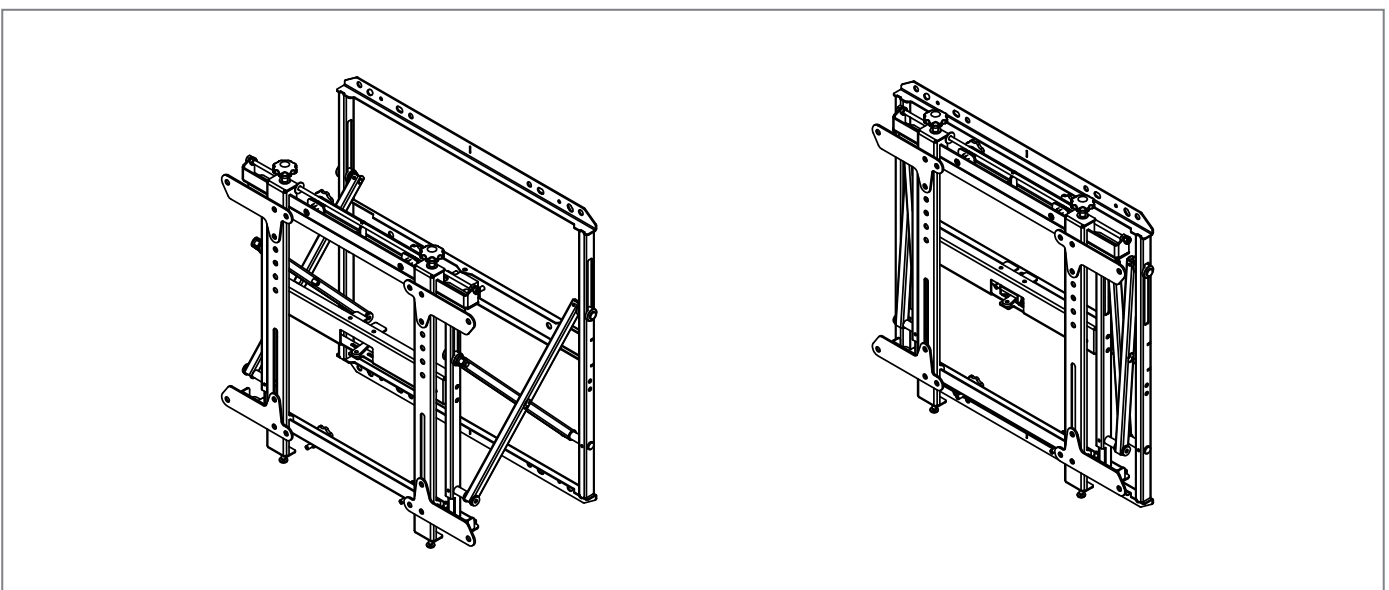
incl. adapter set for assembly of  
VESA 600 x 400 or 400 x 600 mm



VESA 400 x 400 mm max., optionally expandable



fine adjustment via included adjusting screws  
(with no tools needed)



ultra-flat distance to wall from 54 min. up to 264 mm max., incl. fine adjustment by  $\pm 5$  mm