

## STM Motorized Cisco Webex Board Pro 75" display specific, mobile lift system

**Item no.: 5856**

The STM Motorized Cisco Webex Board Pro 75" is a mobile, height adjustable lift system, which has been designed for the Cisco Webex Board Pro 55".

The hole pattern of the mobile lift system is designed for Cisco's collaboration room systems.

Locking screws on the screen mount secure the screen against unhooking and falling down.

The height of the screen can be adjusted electro-motorically with a wired remote control. The stroke of 980 mm allows the screen height to be optimally adjusted for standing and seated viewers.

The lift system also features collision protection, which immediately stops the movement of the screen as soon as resistance is encountered.

Castors with locking brake provide mobility.

Cable management is neatly organized via a flexible cable drag chain.

The surfaces of the STM Motorized Cisco Webex Board Pro 75" are finished with a solvent free, impact and scratch resistant powder coating in black.

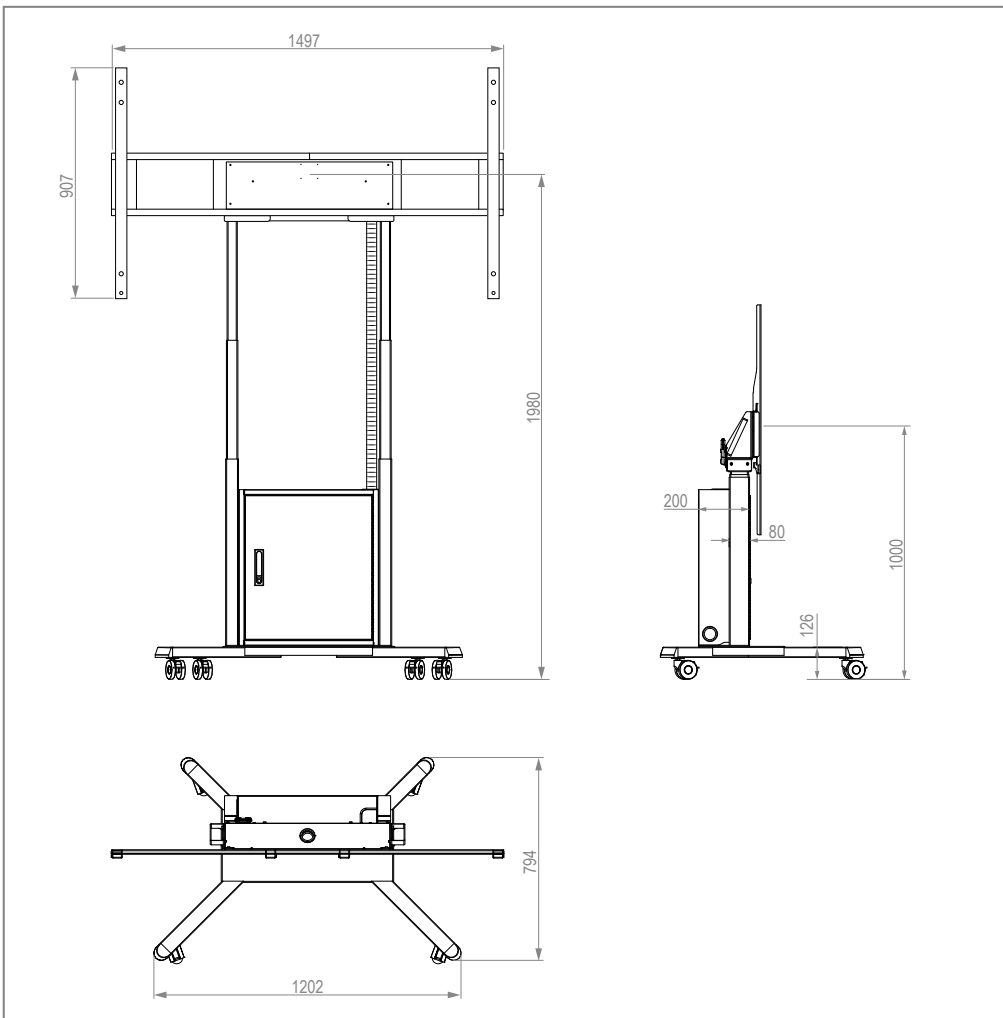
The maximum load capacity is 85 kg.



## STM Motorized Cisco Webex Board Pro 75" display specific, mobile lift system

Item no.: 5856

- Mobile lift system
- Display specific for Cisco Webex Board Pro 75"
- Hole pattern optimised for Cisco Webex Board Pro 75"
- Electro-motorized height adjustment with 980 mm stroke
- Wired remote control
- Collision prevention - lift stops if there is resistance
- Cable management via cable drag chain
- Lockable media cabinet, incl. multiple plug and shelf for mini-PC, e.g.: Intel NUC
- Castors with locking brake
- Dimensions: W 1497 x D 794 mm
- Safety screws - secure the screen against unhooking and falling down
- 85 kg max. load
- Solvent free, impact and scratch resistant powder coating in black



Lockable media cabinet



Hole pattern display-specific optimised



Cable management via cable drag chain

Technical changes reserved | This document is the property of HAGOR Products GmbH. Forwarding and duplication of this document, utilization and communication of its contents are not permitted unless expressly permitted. A violation obliges you to pay compensation. All rights reserved in the event of a patent, utility model or design registration.