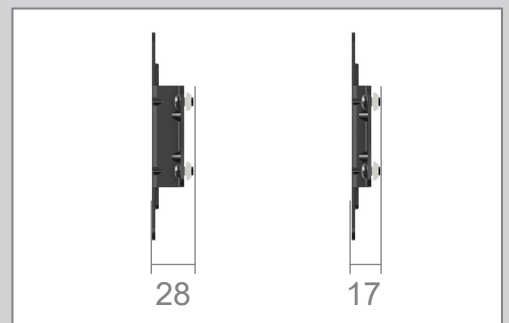
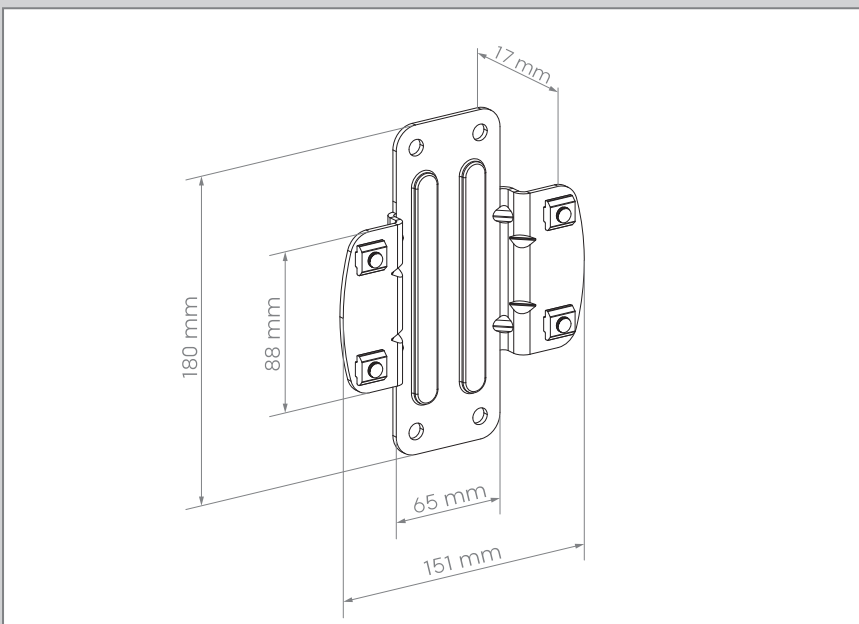
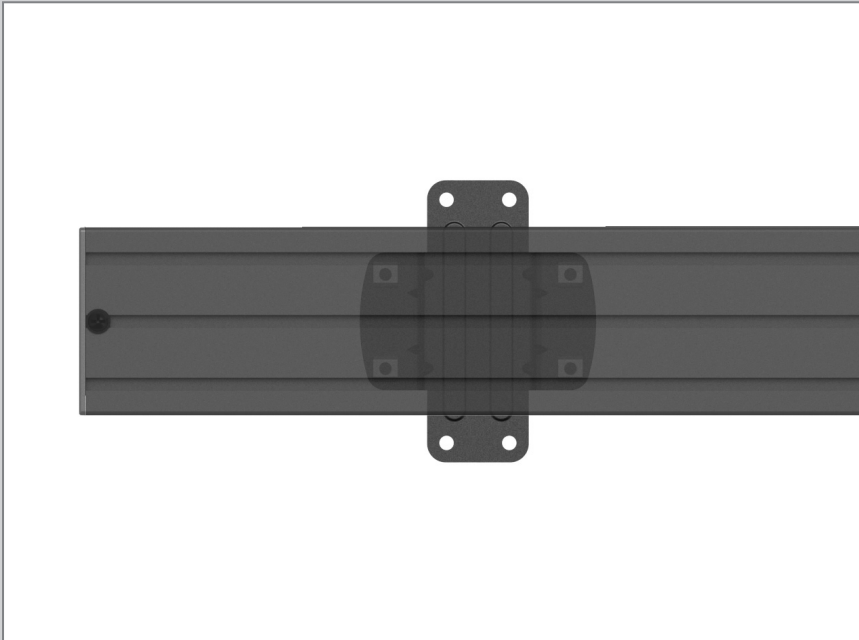


CPS-WALL ADAPTER SUPER SLIM

comPROnents® component

Item no.: 3244

- Adapter for wall mounting
- Enables the installation of the CPS-Alu Rails on the wall
- One or two of these adapters per rail of these adapters per rail
- Dimensions: W 151 x H 180 x D 17 mm
- Material: Steel
- Scratch and impact resistant powder coating
- Colour: black



Technical changes reserved | This document is the property of HAGOR Products GmbH. Forwarding and duplication of this document, utilization and communication of its contents are not permitted unless expressly permitted. A violation obliges you to pay compensation. All rights reserved in the event of a patent, utility model or design registration.