

HP Twin Lift M-DW

mobile, height adjustable lift system

Item no.: 8254

The HP Twin Lift M-DW is a mobile, height-adjustable lift system with a dual mount for two screens from 46" to 65" | 117 - 165 cm side-by-side.

The screen mount includes the VESA standard up to max. 600 x 400 mm, for 65" screens max. 400 x 400 mm. The screens are mounted in landscape orientation.

The height of the screens can be adjusted electro-motorized by a wired remote control. The stroke of 980 mm makes it possible to adjust the screen height optimally for standing and seated viewers as well.

The lift system also has a collision protection, which stops the movement of the screen as soon as resistance is encountered, thus preventing damage.

Thanks to the asymmetrically shaped base, it is possible to position the system close to a wall. The footprint is W 1202 x D 794 mm.

The HP Twin Lift M-DW has an integrated media cabinet, which is lockable and reliably protects the AV equipment stored there from unauthorised access.

The maximum load is 120 kg (2x 60 kg).

High quality castors provide the necessary mobility. The integrated brakes allow the entire system to be securely fixed at the desired destination.

Cable management is neatly organised via a flexible cable drag chain.

A height adjustable camera holder is already included in the scope of delivery and can be used optionally.

As an optional accessory, the HP Twin Lift - Laptop Holder White | Item no.: 8914 is available.



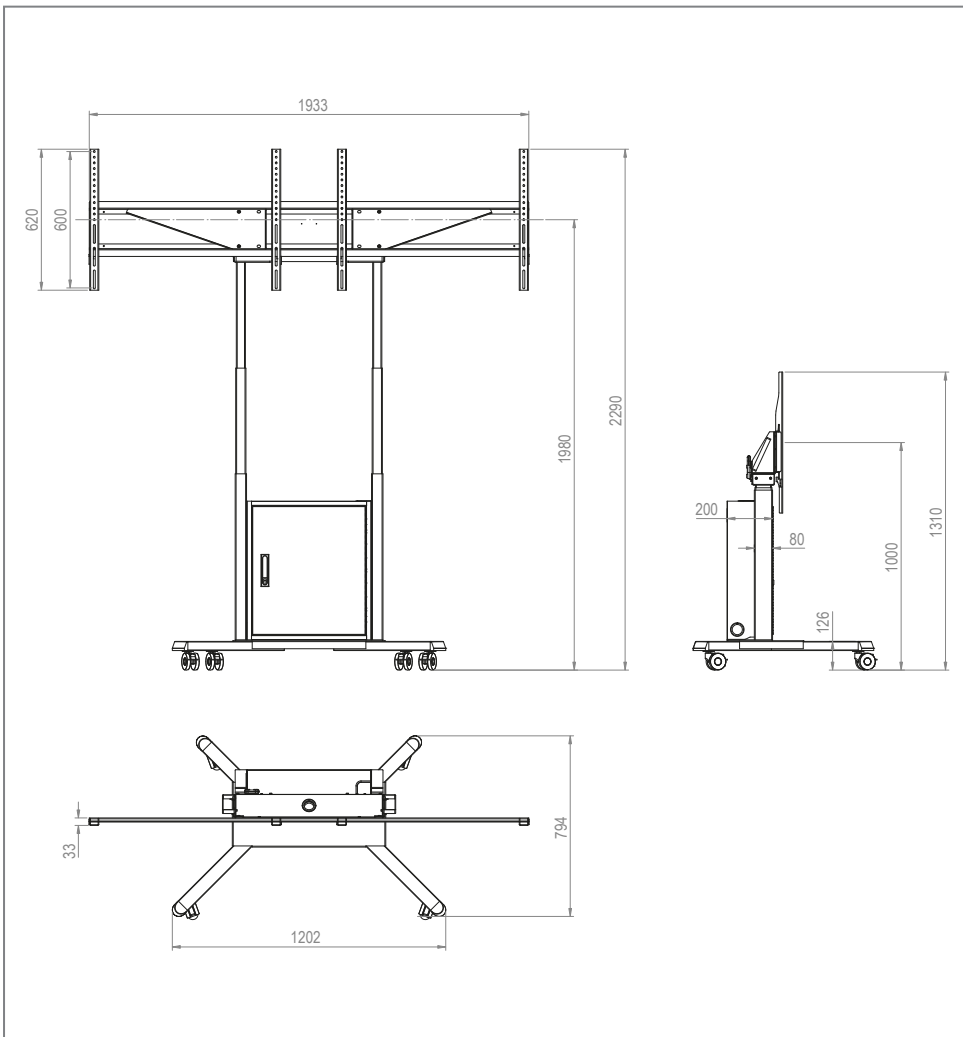
HP Twin Lift M-DW

mobile, height adjustable lift system

Item no.: 8254

- 2 displays side-by-side, 46 - 65" | 117 - 165 cm
- Incl. VESA mount up to max. 600 x 400 mm*
- Safety catch
- Installation in landscape orientation
- Electro-motorized height adjustment
- Height adjustable - min. 1000 up to max. 1980 mm (approx. center of screen)
- 980 mm stroke
- Collision prevention - lift stops if there is resistance
- Incl. memory function
- Wired remote control
- Castors with locking brake
- Lockable media cabinet, incl. plug bar and shelf for mini PC, e.g.: Intel NUC
- Cable management via cable drag chain
- 120 kg (2x 60 kg) load, max.
- Solvent free, impact and scratch resistant powder coating in white
- Incl. height adjustable camera holder
- Optional:
HP Twin Lift - Laptop Holder White | Item no.: 8914

* 65" screens VESA 400 x 400 mm max.



Media cabinet with plug bar and shelf



Cable management via cable drag chain



Expandable with laptop holder / camera holder