

ScreenOut[®] LG 49XE4F Outdoor totem for LG 49XE4F

Item no.: 5876

The ScreenOut[®] LG 49XE4F is a highly weather proof totem which has been developed specifically for the LG 49XE4F screen.

The LG 49XE4F screen is already waterproof and dust proof according to IP56 standard and can be used in an ambient temperature range from -30 °C to +50 °C. In addition the display front consists of 5 mm thick, robust protective glass, which has been certified with IK-10 (IK = European impact resistance level).

The screen mounting is adapted to the specific display. It can be mounted either in portrait or landscape format.

The standard version of the slim outdoor totem is designed for permanent installation by using a foundation*. Hagor provides a dimensioned drawing of the required hole pattern.

The cable routing is secure and concealed inside of the totem. A cable outlet located in the base, protects reliably against any unauthorised access.

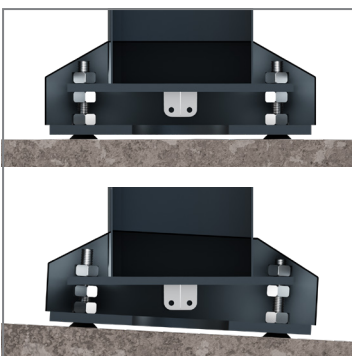
The surfaces are coated with a corrosion resistant, highly weather proof plastic powder coating in black (RAL 9005).



Landscape or portrait format possible



Concealed cable routing



Levelling $\pm 3^\circ$ possible if necessary

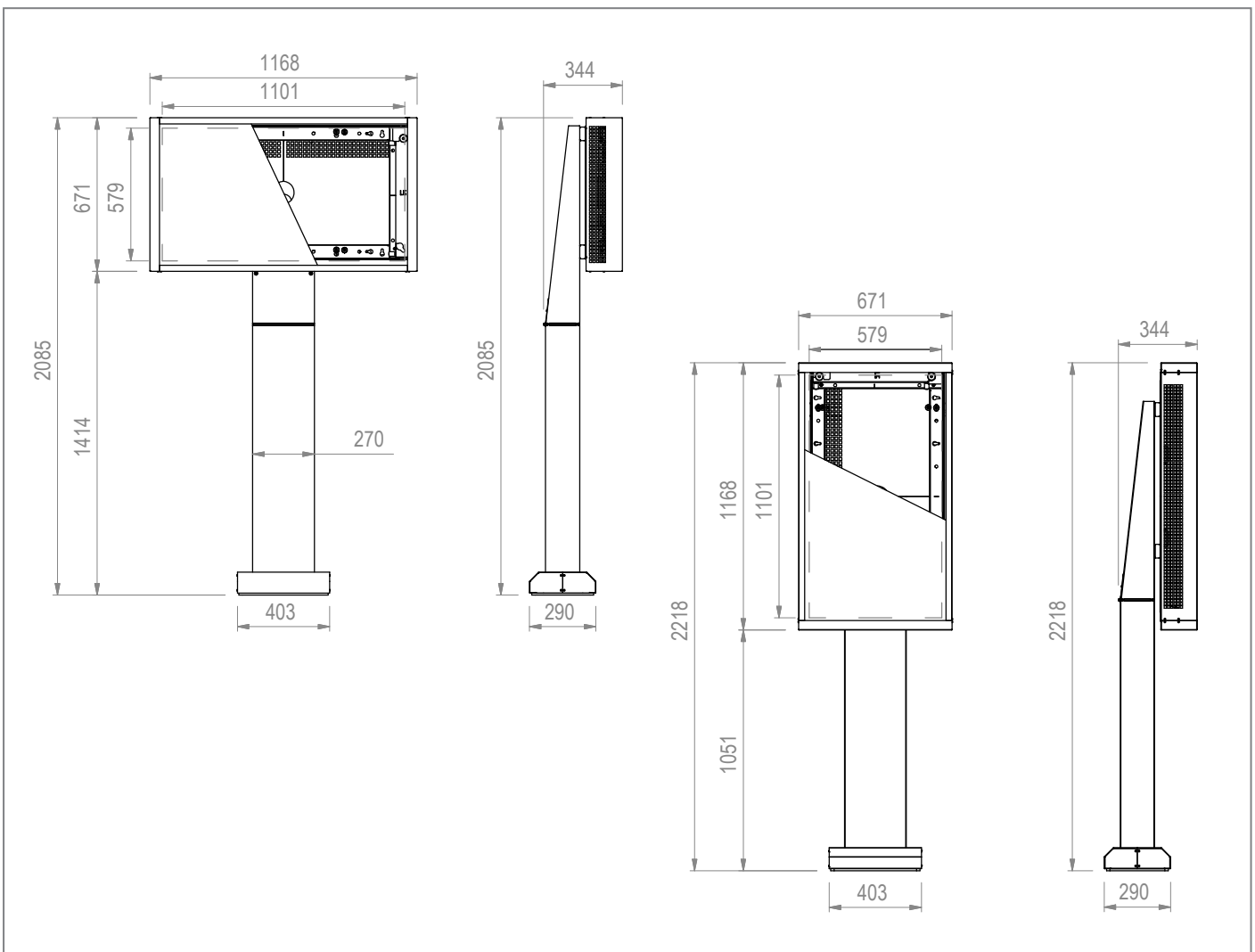


DESIGNED FOR
 **LG** Business Solutions

ScreenOut[®] LG 49XE4F Outdoor totem for LG 49XE4F

Item no.: 5876

- Outdoor totem with highly weather proof and corrosion resistant plastic powder coating
- Designed for the LG 49XE4F screen
- Portrait or landscape format possible
- Matching screen mount for LG 49XE4F display
- Ambient temperature range from -30° C to +50° C (Display)
- ±3° levelling possible if necessary
- Concealed cable routing, one cable outlet located in the base for maximum security
- Standard version designed for permanent installation by using a foundation*. Hagor provides a dimensioned drawing of the required hole pattern
- Highly weather proof and corrosion resistant plastic powder coating
- Colour: black (RAL 9005)



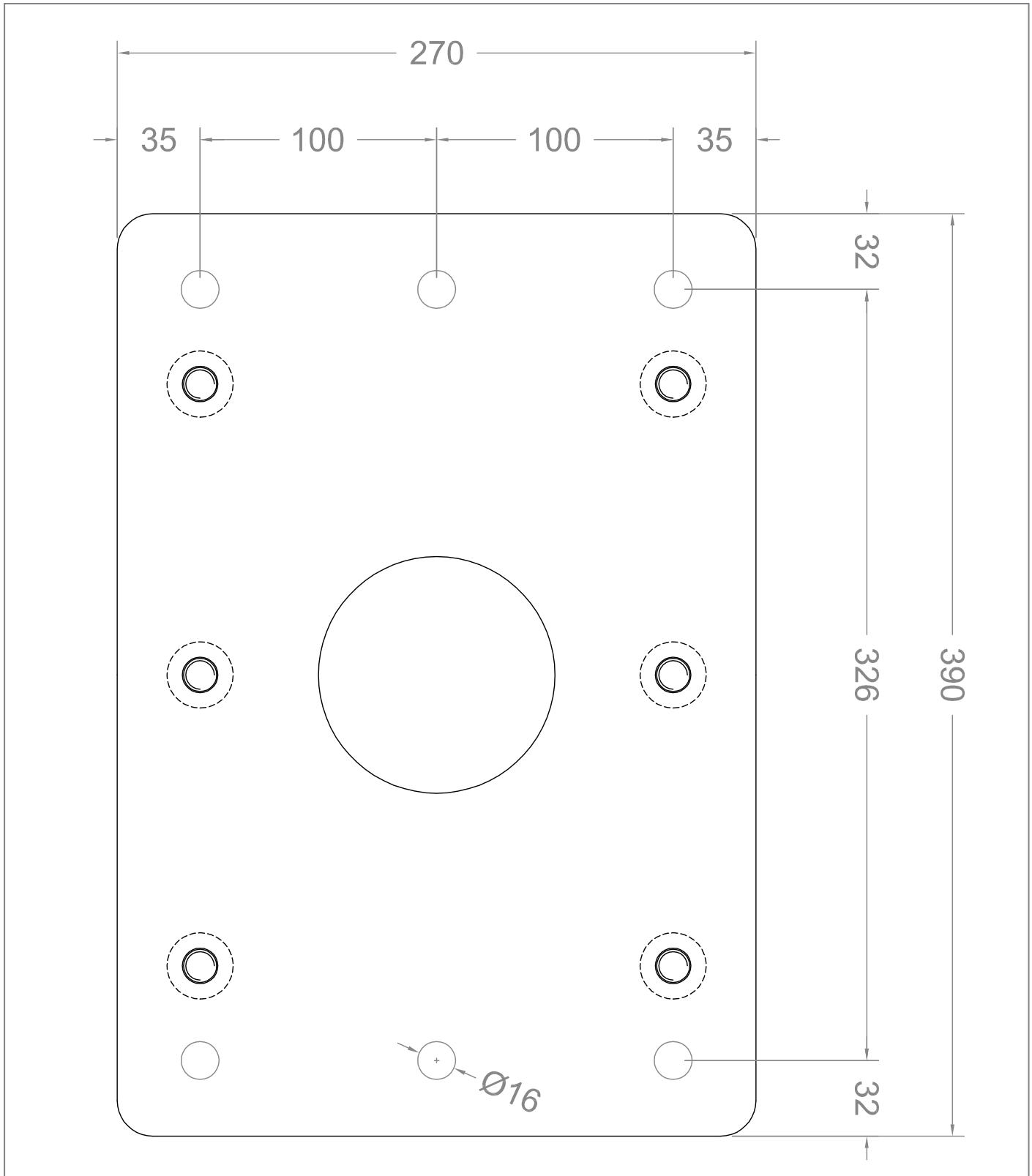
* Attention! The foundation plan must be requested by the customer from a structural engineering office and adapted to the local conditions.
In case of a free installation, please inform yourself about the prevailing wind loads on site.

Technical changes reserved. | ScreenOut[®] is a registered trademark of HAGOR Products GmbH.

ScreenOut[®] LG 49XE4F

Outdoor totem for LG 49XE4F

Item no.: 5876



* Attention! The foundation plan must be requested by the customer from a structural engineering office and adapted to the local conditions.
In case of a free installation, please inform yourself about the prevailing wind loads on site.

Technical changes reserved. | ScreenOut[®] is a registered trademark of HAGOR Products GmbH.