

ScreenOut[®] OH 85 Portrait

Outdoor totem for Samsung OH 85 series

Item no.: 5892

The ScreenOut[®] OH 85 Portrait is a highly weather proof totem which has been developed specifically for the screens of the Samsung OH 85 model series.

The Samsung OH series screens are already waterproof and dust proof according to IP56 standard and can be used in an ambient temperature range from -30 °C to +50 °C. In addition the display front consists of 5 mm thick, robust protective glass, which has been certified with IK-10 (IK = European impact resistance level).

The screen mounting is adapted to the specific display. It can be mounted in portrait format.

The standard version of the slim outdoor totem is designed for permanent installation by using a foundation*. Hagor provides a dimensioned drawing of the required hole pattern.

The cable routing is secure and concealed inside of the totem. A cable outlet located in the base, protects reliably against any unauthorised access.

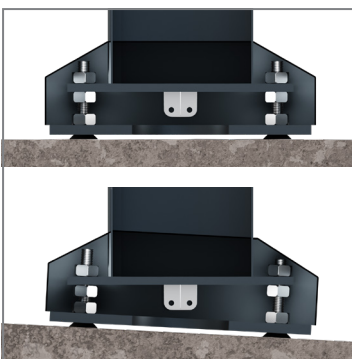
The surfaces are coated with a corrosion resistant, highly weather proof plastic powder coating in black (RAL 9005).



Portrait format



Concealed cable routing



Levelling $\pm 3^\circ$ possible if necessary



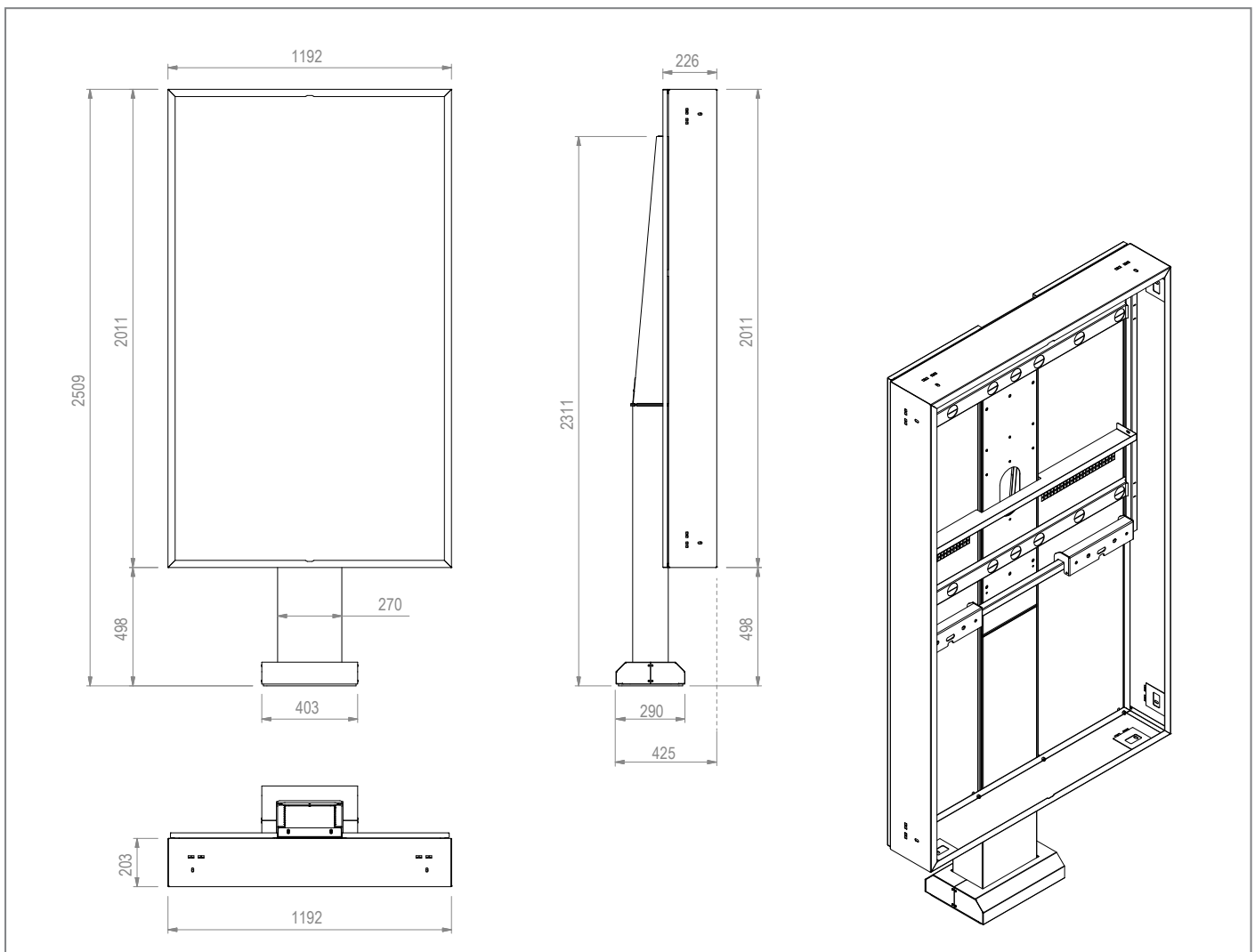
DESIGNED FOR
SAMSUNG

ScreenOut[®] OH 85 Portrait

Outdoor totem for Samsung OH 85 series

Item no.: 5892

- Outdoor totem with highly weather proof and corrosion resistant plastic powder coating
- Designed for the screens of the Samsung OH 85 model series
- Portrait format
- Matching screen mount for Samsung OH displays
- Ambient temperature range from -30° C to +50° C (Display)
- ±3° levelling possible if necessary
- Concealed cable routing, one cable outlet located in the base for maximum security
- Standard version designed for permanent installation by using a foundation*. Hagor provides a dimensioned drawing of the required hole pattern
- Highly weather proof and corrosion resistant plastic powder coating
- Colour: black (RAL 9005)



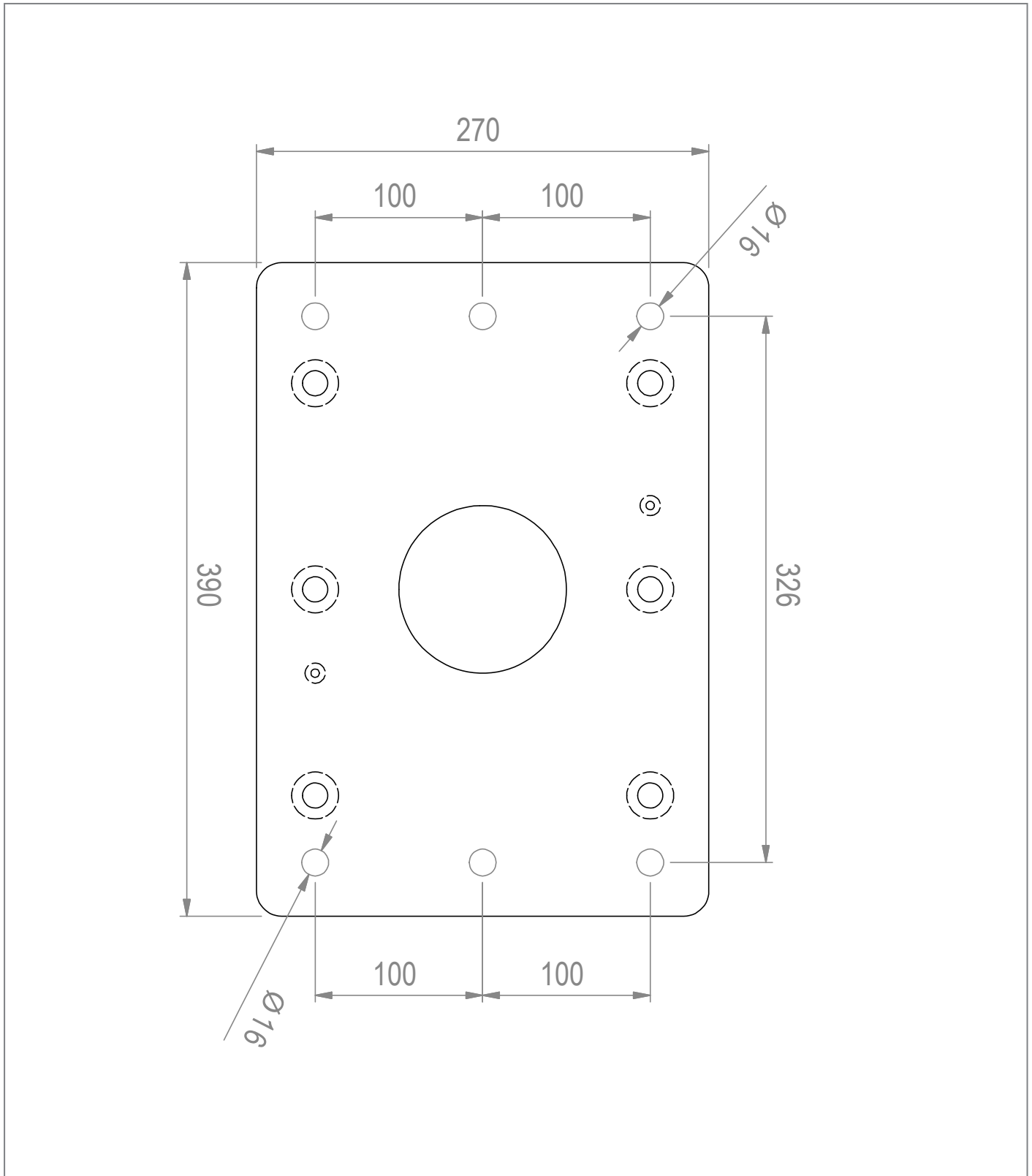
* Attention! The foundation plan must be requested by the customer from a structural engineering office and adapted to the local conditions.
In case of a free installation, please inform yourself about the prevailing wind loads on site.

Technical changes reserved. | ScreenOut[®] is a registered trademark of HAGOR Products GmbH.

ScreenOut[®] OH 85 Portrait

Outdoor totem for Samsung OH 85 series

Item no.: 5892



* Attention! The foundation plan must be requested by the customer from a structural engineering office and adapted to the local conditions.
In case of a free installation, please inform yourself about the prevailing wind loads on site.

Technical changes reserved. | ScreenOut[®] is a registered trademark of HAGOR Products GmbH.