

WH SA Flip 65"

Item no.: 5789

rotatable and tiltable wall mount for Samsung Flip 65"

The WH SA Flip 65" is a rotating and tilting wall mount which was developed specifically for the Samsung Flip 2 with 65".

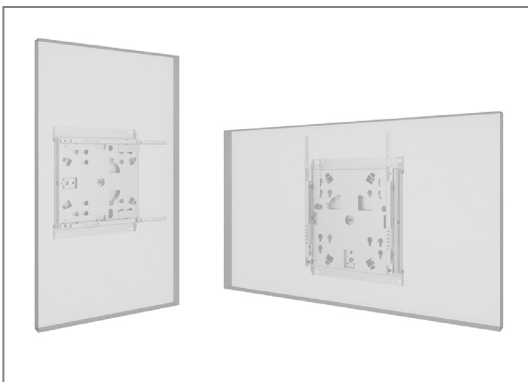
The mount includes the VESA standards 200 x 200 mm, 300 x 300 mm and 400 x 400 mm.

The wall mount allows you to rotate the screen from portrait to landscape orientation and vice versa at any time.

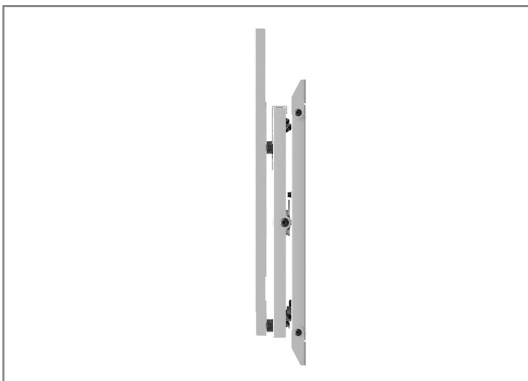
Thanks to the advanced spring mechanism, rotation is possible with almost no effort.

The mount locks into the end position (0° / 90°) and can be easily moved again without the need for unlocking.

The inclination levels can be adjusted (tool needed) and the maximum load capacity is 45 kg.



The positioning of the adapter ensures a centered alignment in landscape or portrait



Low overall depth of just 67 mm, despite the rotatable spring mechanism



Release from end position without locking, little effort required

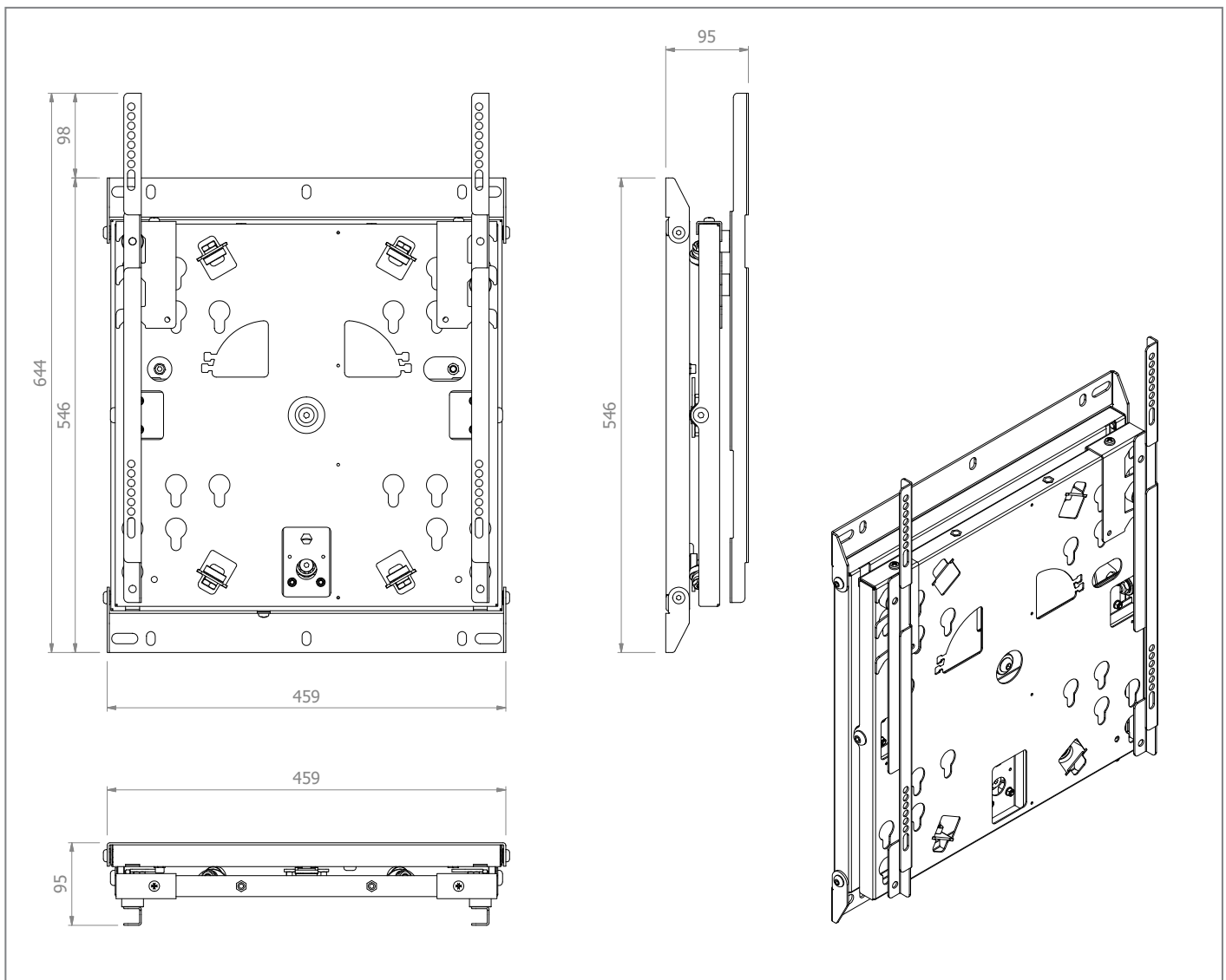


WH SA Flip 65“

Item no.: 5789

rotatable and tiltable wall mount for Samsung Flip 65“

- Tiltable and rotatable wall mount developed for Samsung WM65R, WM65B
- VESA 200 x 200 | 300 x 300 | 400 x 400 mm
- Freely rotatable by 90° - locks in final position
- Tilting possible (0° / ±2.5° / ±5° / tool needed)
- Continuous change of screen format with no tools needed
- Little effort needed thanks to spring mechanism
- Clicks in place in the respective final position (0° / 90°)
- Distance to wall: 67 mm
- Incl. Security button / Security slide
- Colour: white (similar to Samsung Flip Series)
- 45 kg load, max.



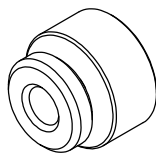
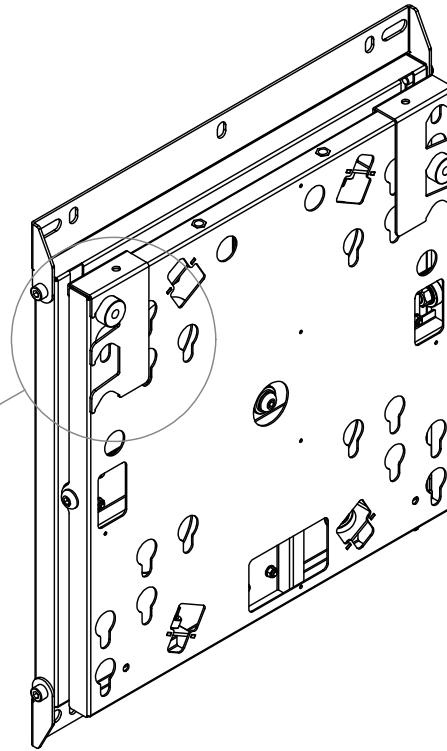
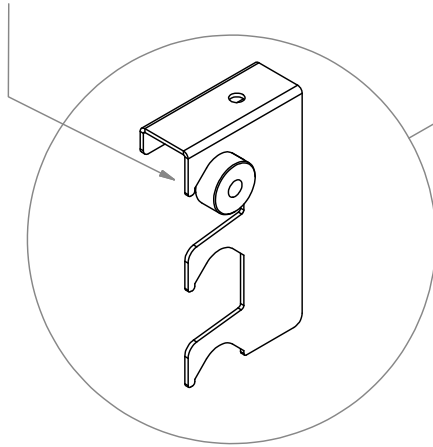
WH SA Flip 65"

Item no.: 5789

rotatable and tiltable wall mount for Samsung Flip 65"

Sicherungsbolzen
Sicherungsschieber

Button
Securing slide



BUTTON

