

WH Turn L II

Item no.: 5090

Tiltable and rotatable universal wall mount

The WH Turn L II is a rotatable and tiltable universal wall mount for screens from 55" - 75" | 140 - 191 cm.

The VESA universal mount can be fitted with 600 x 400 mm or 400 x 600 mm*.

The wall mount allows the screen to be rotated from portrait to landscape orientation and back at any time.

Thanks to the clever spring mechanism, the rotation is possible with almost no effort.

The wall mount locks into the desired end position and can be set in motion again effortlessly without unlocking.

The inclination levels are adjustable.

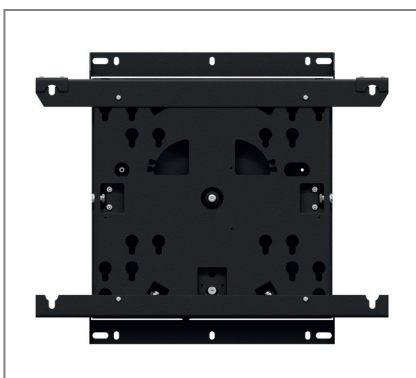
The maximum load of the system is 65 kg.



Screwed screen security including release lock



Small distance to the wall



VESA, max. 600 x 400 mm or 400 x 600 mm



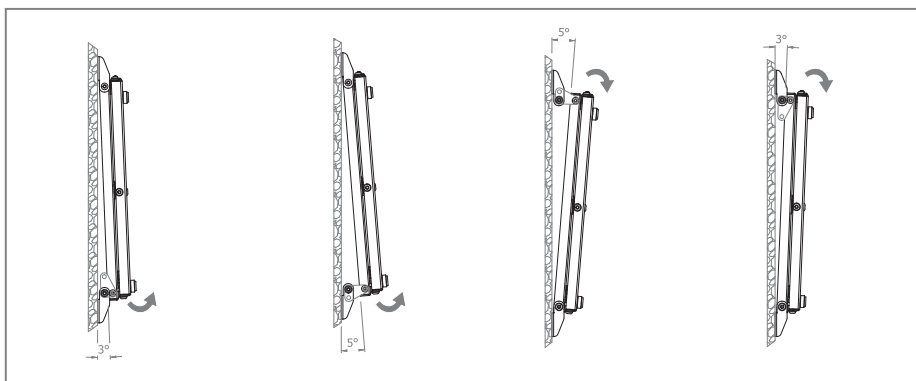
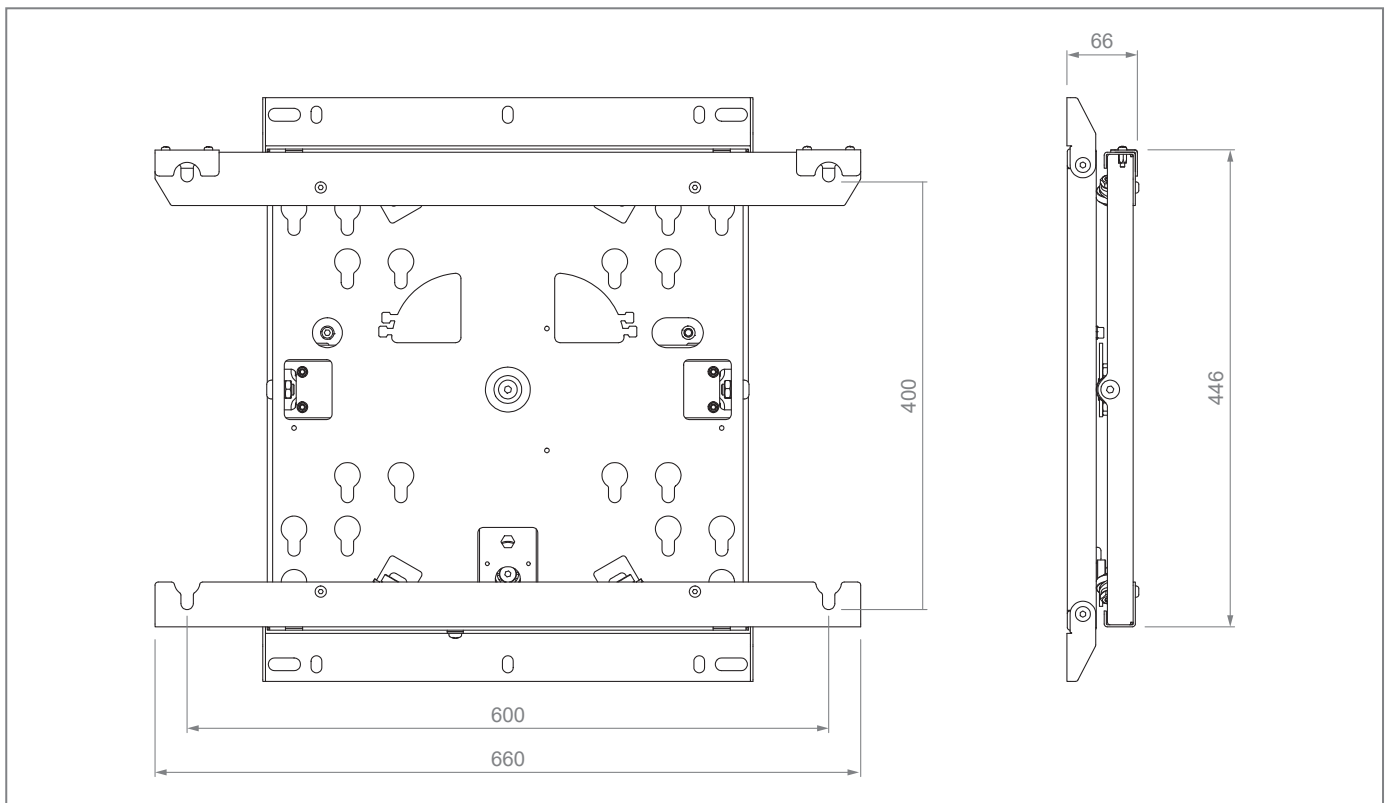
* Applies to centered hole patterns. | Technical changes reserved | This document is the property of HAGOR Products GmbH. Forwarding and duplication of this document, utilization and communication of its contents are not permitted unless expressly permitted. A violation obliges you to pay compensation. All rights reserved in the event of a patent, utility model or design registration.

WH Turn L II

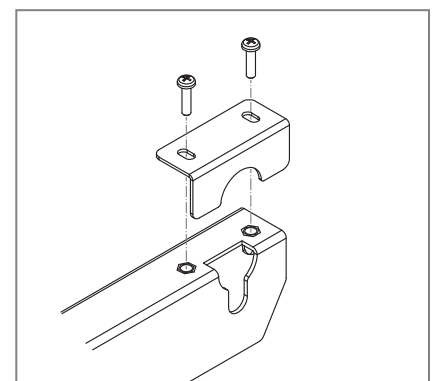
Tiltable and rotatable universal wall mount

Item no.: 5090

- Tiltable and rotatable universal wall mount
- 55" - 75" | 140 - 191 cm
- VESA 600 x 400 mm or 400 x 600 mm*
- Freely rotatable by 90° - locks in final position
- Tilting possible (0° / ±3° / ±5°)
- Little effort needed thanks to spring mechanism
- Continuous change of screen format with no tools needed
- Clicks in place in the respective final position (0 / 90°)
- Release from end position without unlocking
- Solvent free, scratch and impact resistant powder coating in black
- 65 kg load, max.



Tilt adjustment with 0° / ±3° / ±5°



Screwed screen security including release lock

* Applies to centered hole patterns. | Technical changes reserved | This document is the property of HAGOR Products GmbH. Forwarding and duplication of this document, utilization and communication of its contents are not permitted unless expressly permitted. A violation obliges you to pay compensation. All rights reserved in the event of a patent, utility model or design registration.